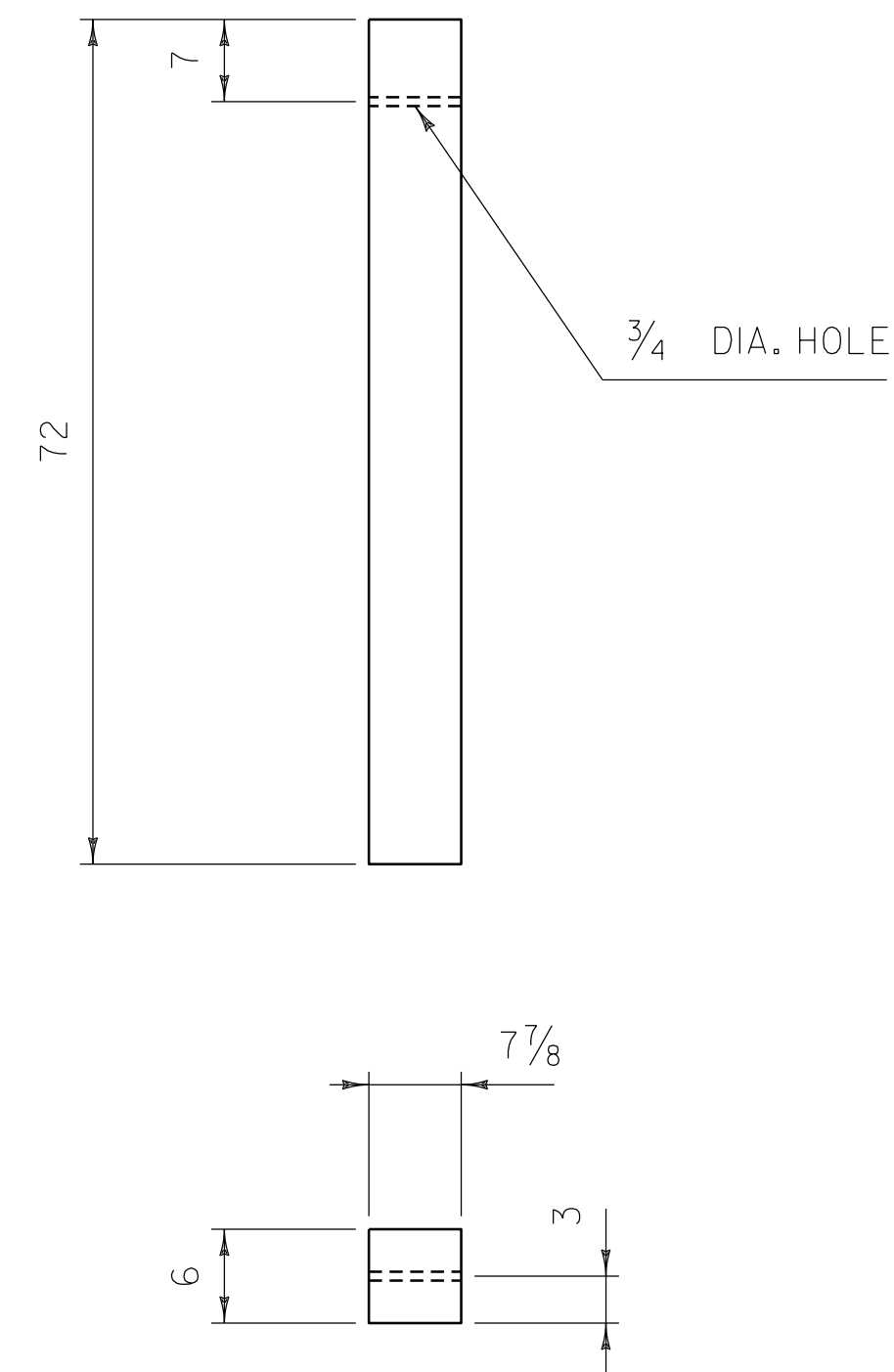
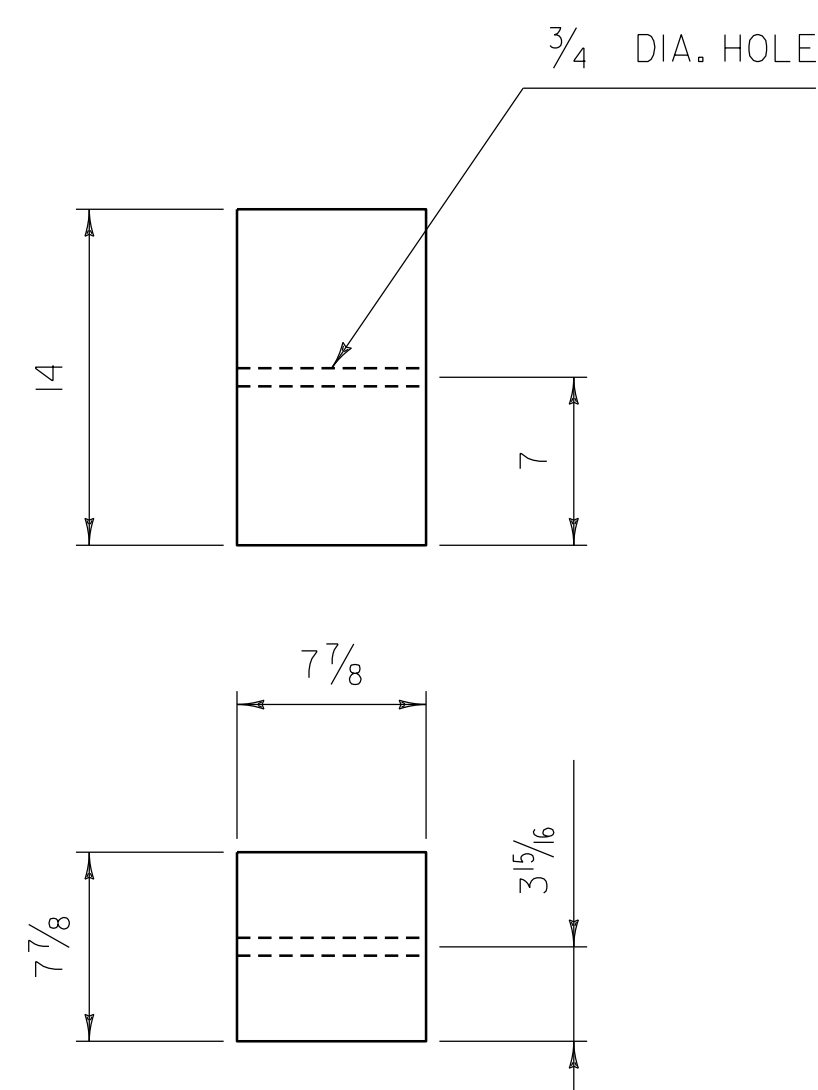


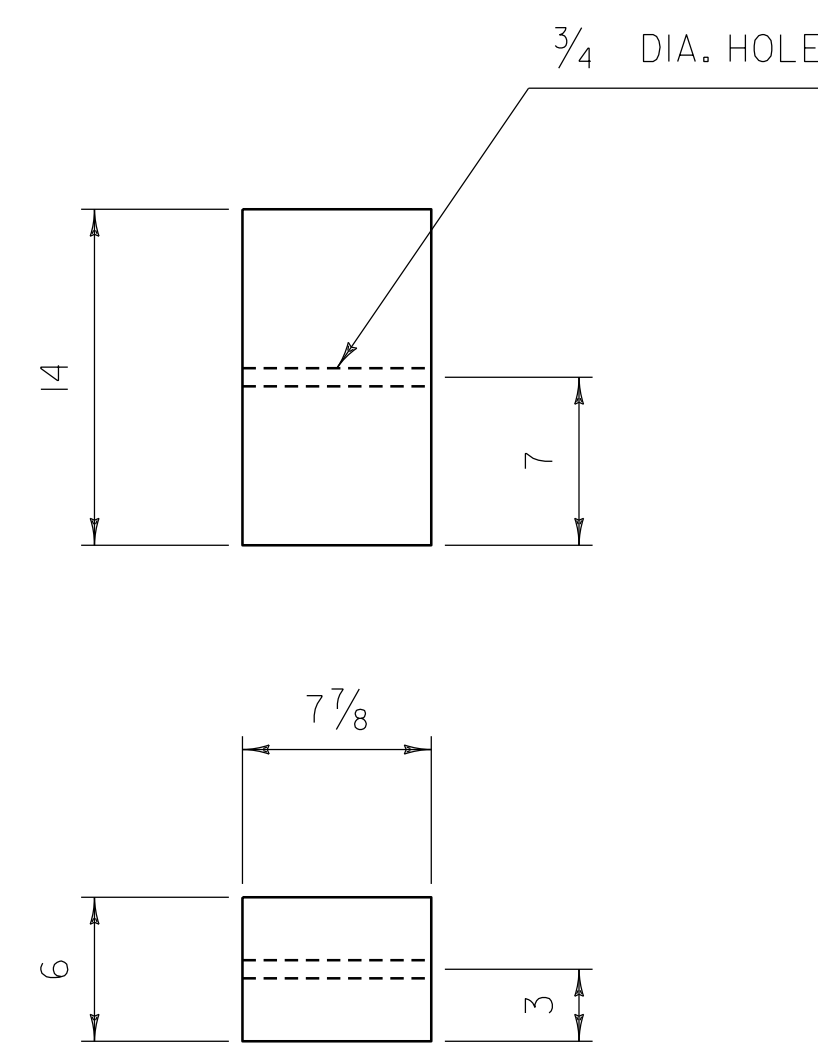
**CONTROLLED RELEASING TERMINAL
(CRT) TIMBER POST (PDE09)**



TIMBER GUARDRAIL POST (PDE07)



TRANSITION SPACER BLOCKOUTS (PDB07)



W-BEAM TIMBER BLOCKOUT (PDB01)

GENERAL NOTES:

1. ALL MATERIAL DESIGNATIONS ARE AS IDENTIFIED IN "A GUIDE TO STANDARDIZED HIGHWAY BARRIER HARDWARE" AS PUBLISHED BY THE "AMERICAN ASSOCIATION OF STATE AND HIGHWAY TRANSPORTATION OFFICIALS" (AASHTO), ASSOCIATED GENERAL CONTRACTORS OF AMERICA (AGC) AND THE AMERICAN ROAD AND TRANSPORTATION BUILDERS ASSOCIATION (ARTBA).
2. CRT TIMBER POSTS SHALL BE INSTALLED SO THAT THE CENTER OF THE TOP 3 1/2 INCH HOLE IS AT GROUND LEVEL.
3. ALL TIMBER SHALL RECEIVE A PRESERVATION TREATMENT IN ACCORDANCE WITH AASHTO M133 AFTER ALL HOLES ARE DRILLED AND END CUTS ARE MADE.
4. ALL DIMENSIONS IN INCHES.

REV.	DATE	DESCRIPTION
0	JUN. 9, 2015	ORIGINAL APPROVAL
OTHER DETAILS REQUIRED: NONE		
DETAILS APPROVED FOR USE BY HIGHWAY SAFETY & DESIGN		

POST AND BLOCKOUT DETAILS
FOR STEEL BEAM GUARDRAIL, GALVANIZED



HIGHWAY SAFETY
& DESIGN DETAIL

HSD - 621.01