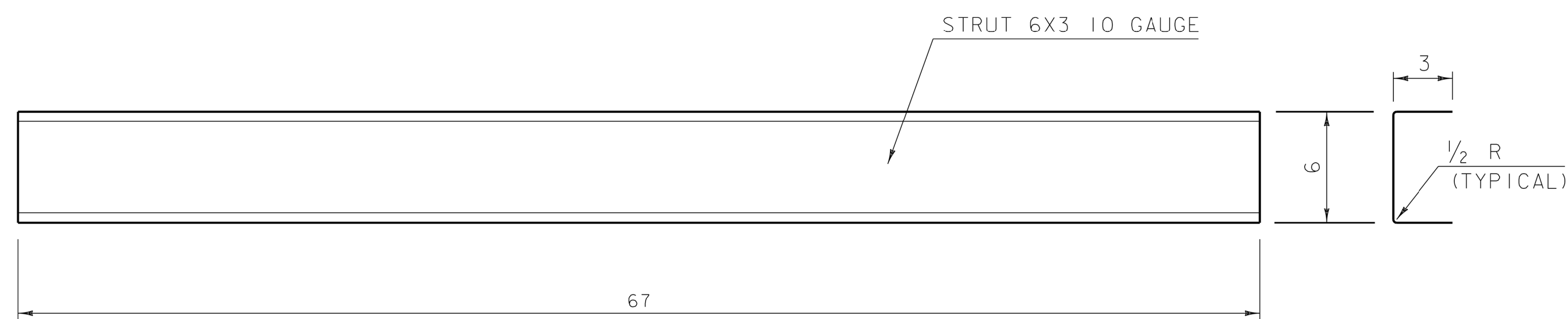
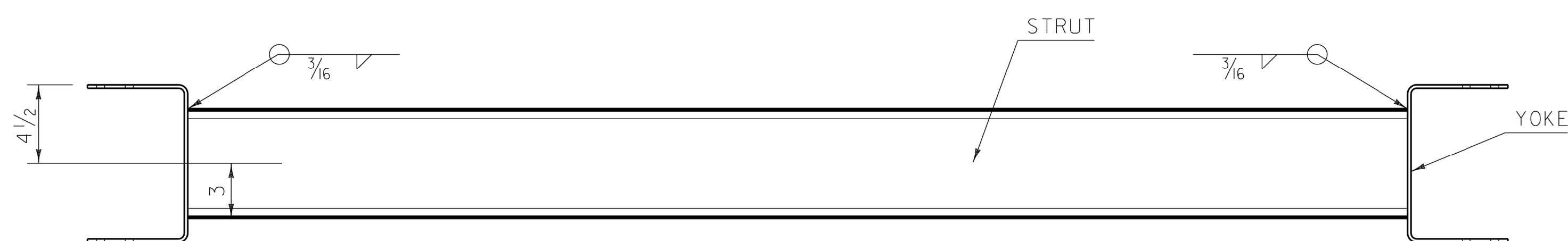


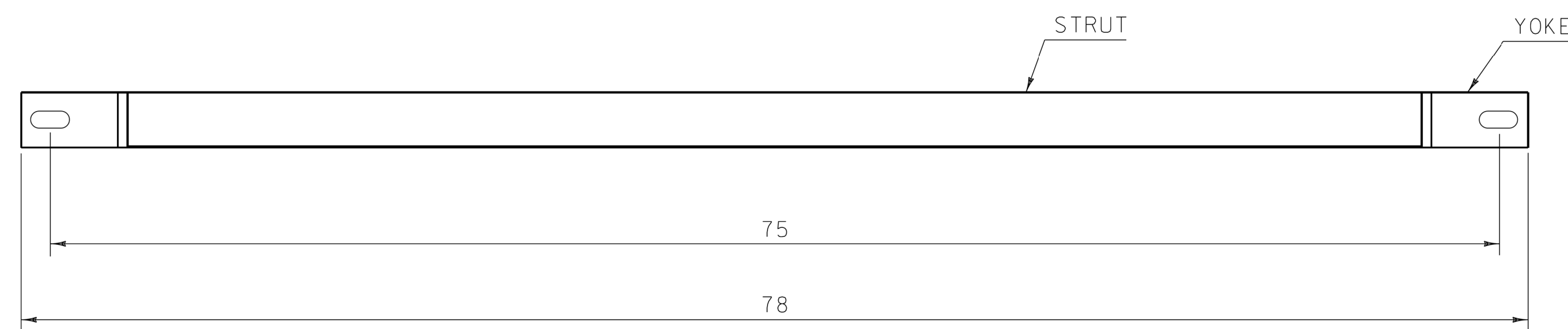
YOKE DETAIL



STRUT DETAIL

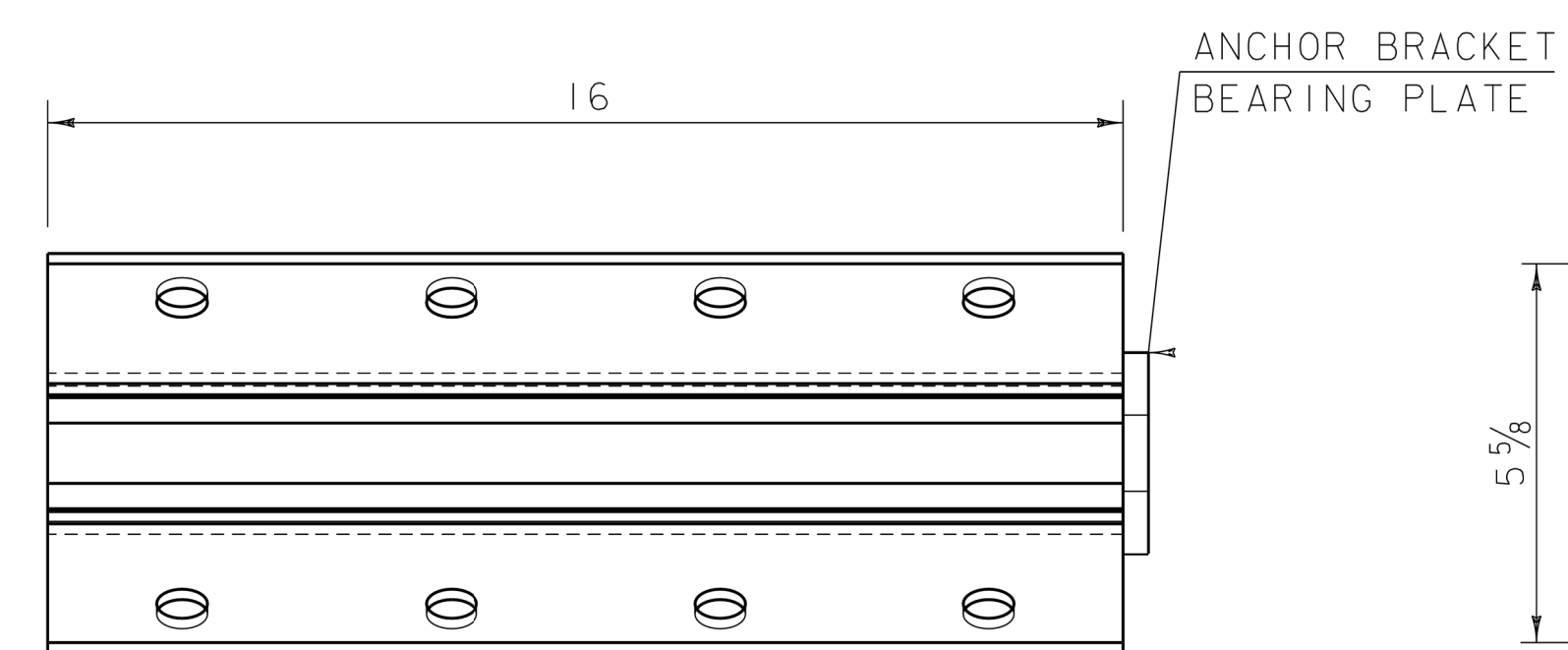
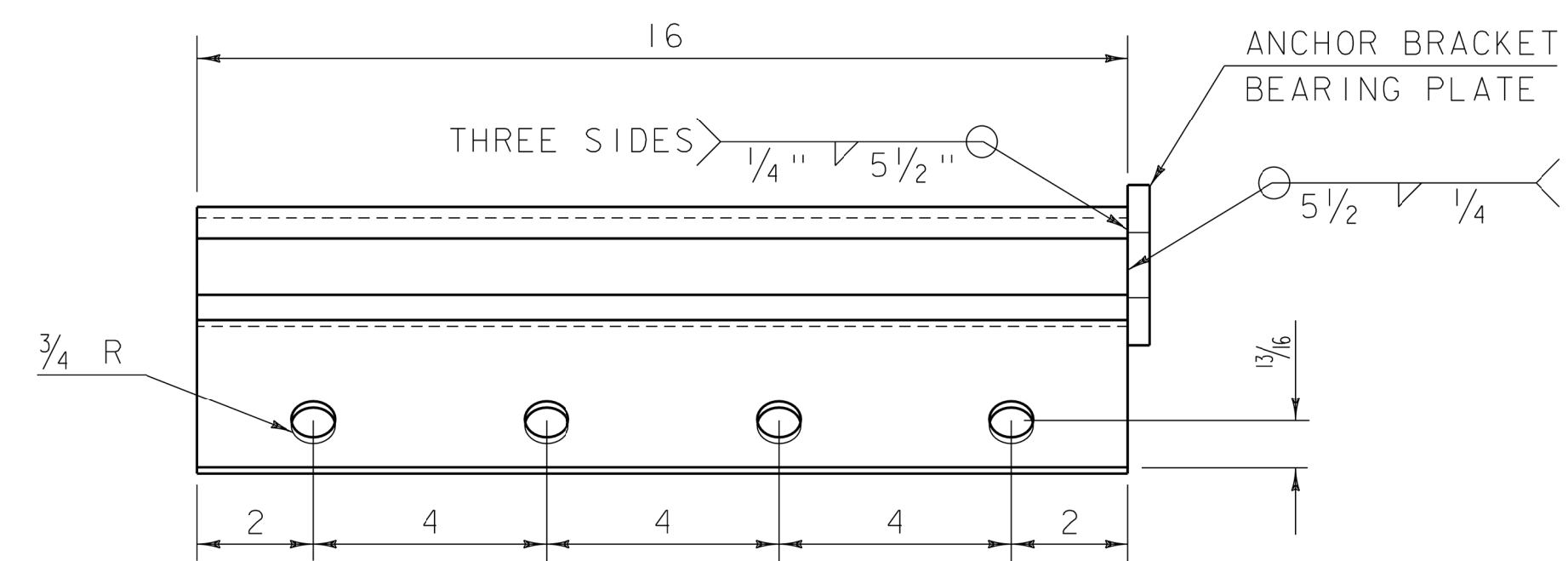


PLAN VIEW

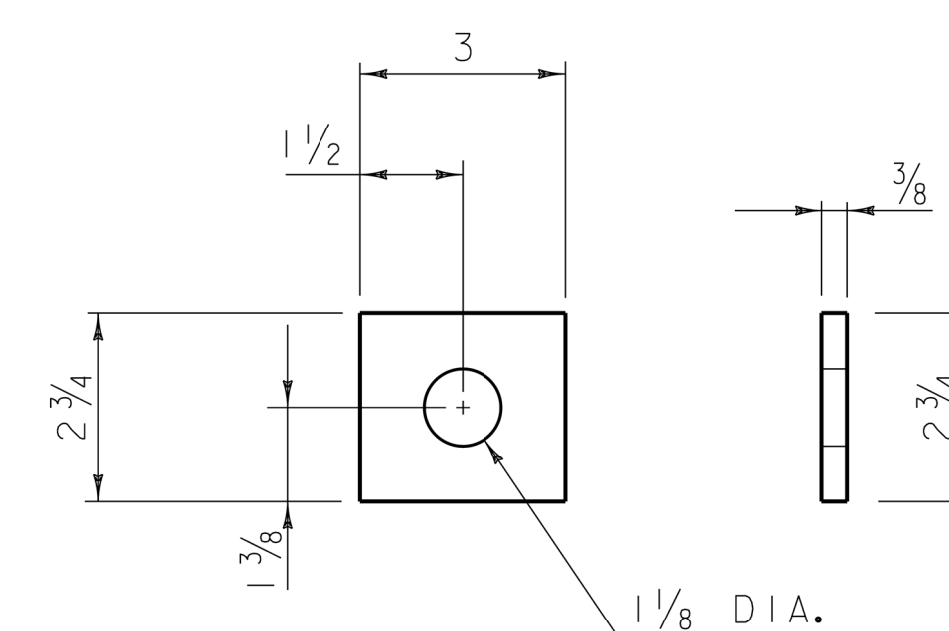
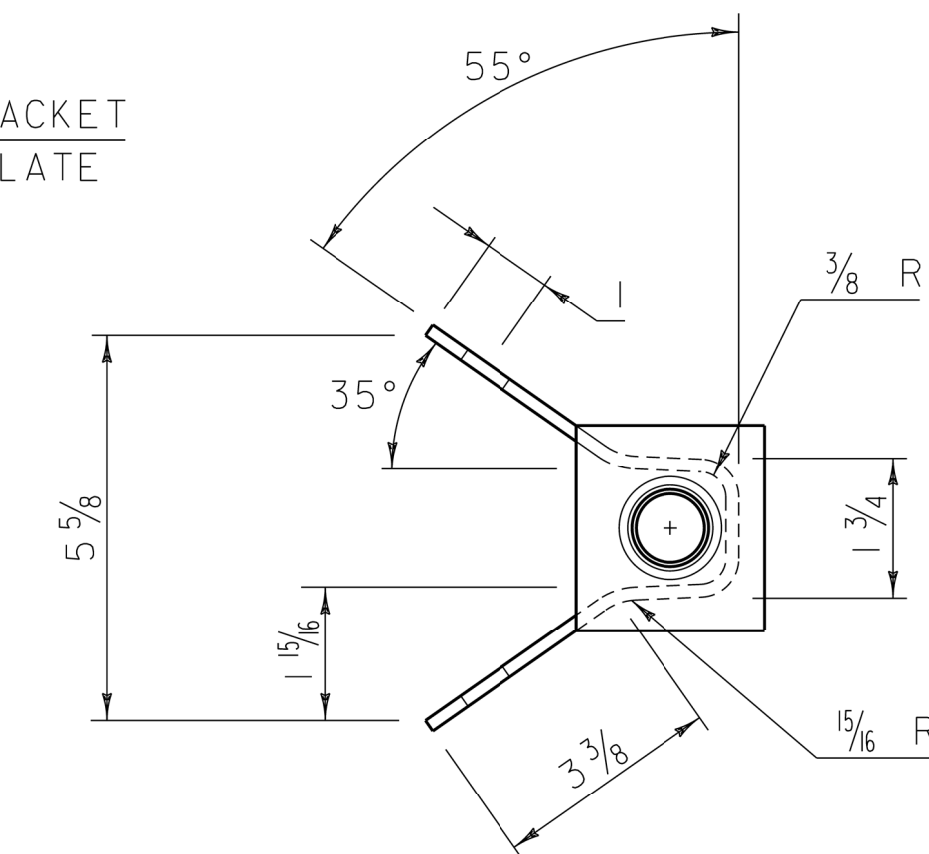


PROFILE VIEW

GROUND STRUT DETAIL



ANCHOR BRACKET



ANCHOR BRACKET BEARING PLATE

GENERAL NOTES

1. ALL MEASUREMENTS ARE IN INCHES UNLESS OTHERWISE SPECIFIED.

REV.	DATE	DESCRIPTION
--	APR. 17, 2019	ORIGINAL APPROVAL
OTHER DETAILS REQUIRED: HSD-621.07C, HSD-621.07E		
DETAILS APPROVED FOR USE BY HIGHWAY SAFETY & DESIGN		

MIDWEST GUARDRAIL SYSTEM (MGS) ANCHOR COMPONENTS



HIGHWAY SAFETY
& DESIGN DETAIL
HSD-621.07D