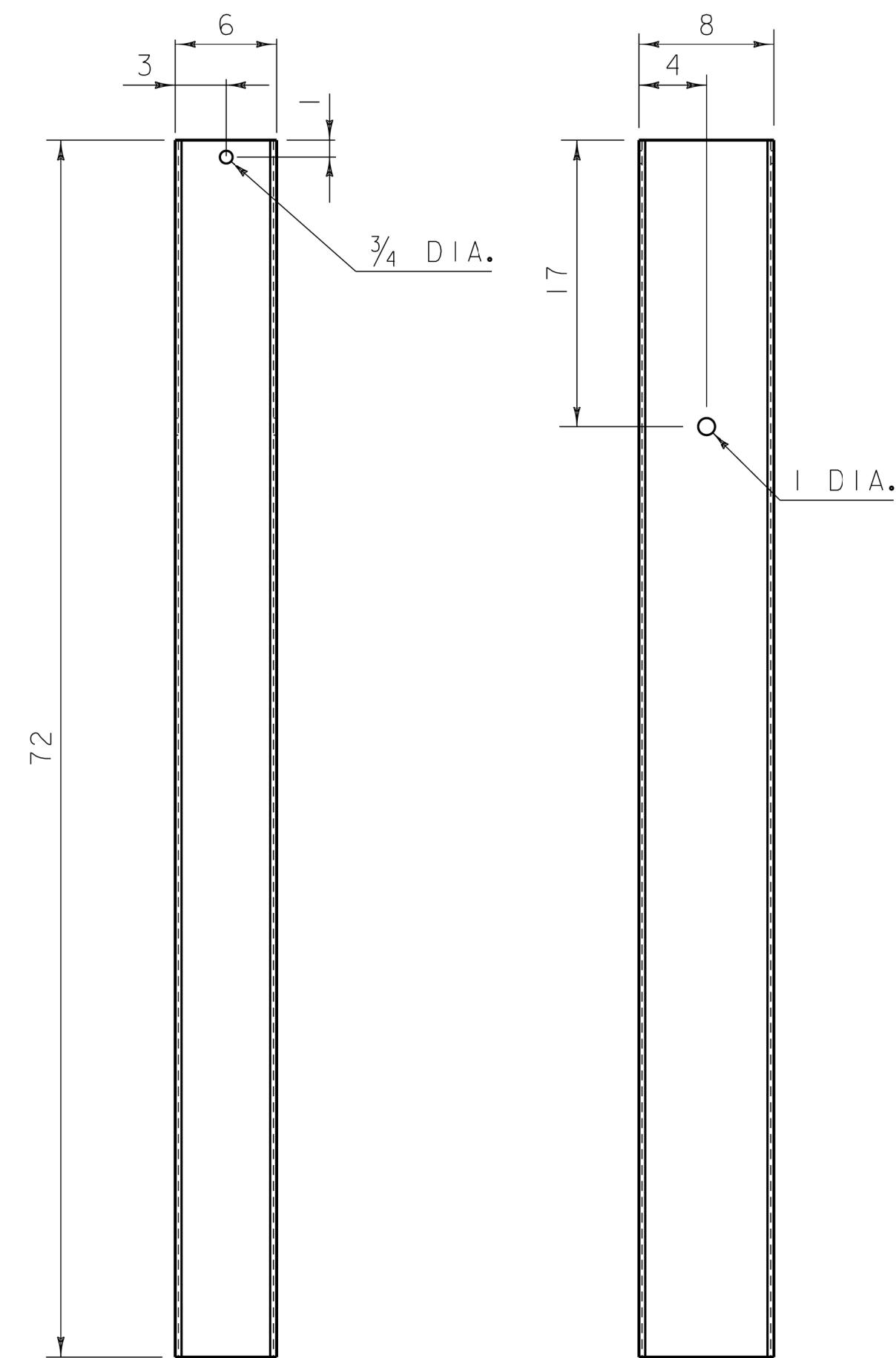


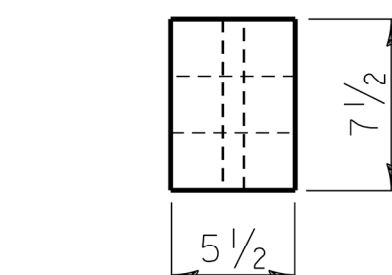
PLAN VIEW



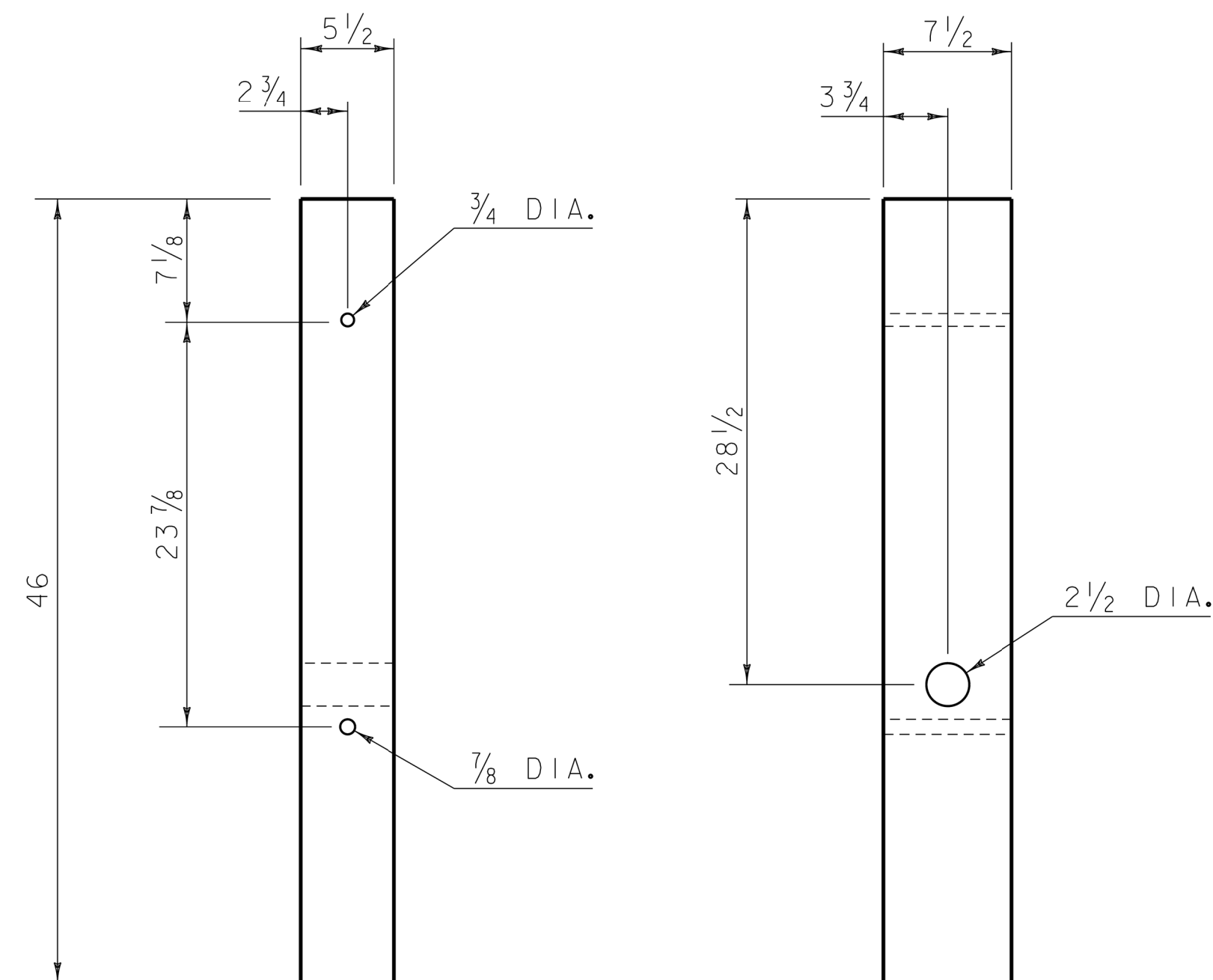
FRONT VIEW

SIDE VIEW

FOUNDATION TUBE



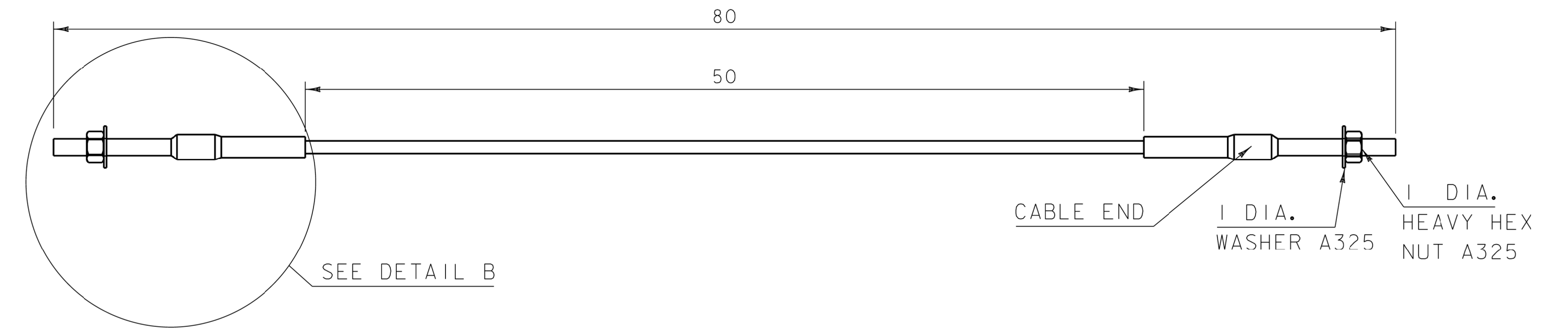
PLAN VIEW



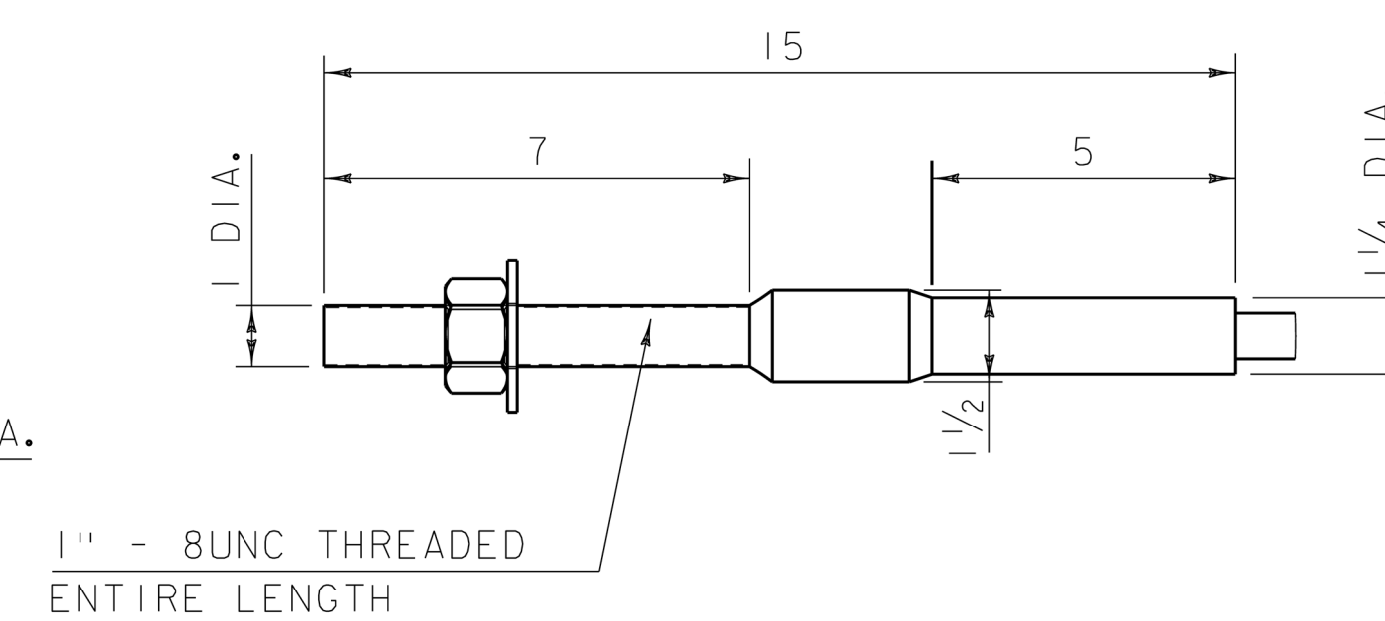
FRONT VIEW

SIDE VIEW

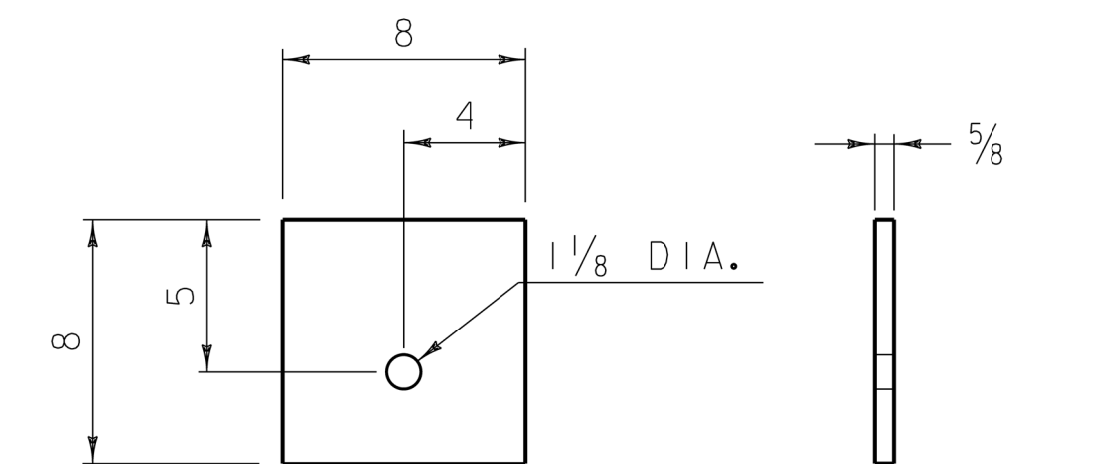
BREAKAWAY WOOD POST



BCT ANCHOR CABLE



DETAIL B



SIDE VIEW

FRONT VIEW

ANCHOR CABLE BEARING PLATE

GENERAL NOTES

1. BCT ANCHOR CABLE IS A 3/4" DIAMETER 6X19 IWRC IPS GALVANIZED WIRE ROPE. THE SWAGED FITTINGS AND STUD ARE REQUIRED.
2. END FITTING SHALL BE MACHINED FROM HOT-ROLLED CARBON STEEL CONFORMING TO ASTM A576 GRADE 1035 AND GALVANIZED ACCORDING TO ASTM A123.
3. TREADED STUD SHALL CONFORM TO ASTM A325 OR SAE GRADE 5.
4. MINIMUM BREAKING STRENGTH OF WIRE ROPE IS 43,000 LB.
5. WIRE ROPE IS TO BE TAUT.
6. ALL MEASUREMENTS ARE IN INCHES UNLESS OTHERWISE SPECIFIED.

REV.	DATE	DESCRIPTION
--	APR. 17, 2019	ORIGINAL APPROVAL
OTHER DETAILS REQUIRED: HSD-621.07C, HSD-621.07D		
DETAILS APPROVED FOR USE BY HIGHWAY SAFETY & DESIGN		

MIDWEST GUARDRAIL SYSTEM (MGS)
ANCHOR COMPONENTS



HIGHWAY SAFETY
& DESIGN DETAIL
HSD-621.07E