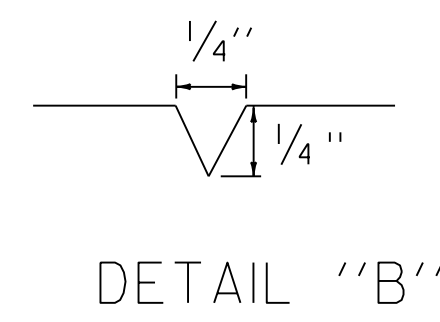
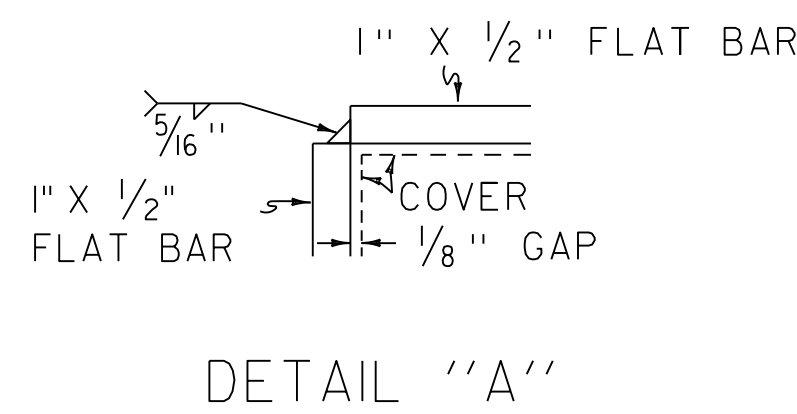


LOGO APPLICATION BY MANUFACTURER WITH TEXT AS SHOWN ON PLANS.
 ** ALTERNATE LOGOS
 SIGNAL
 ELECTRIC
 LIGHTING

ALL PULLBOX COVERS SHALL BE SKID RESISTANT. ALL COVERS SHALL HAVE THE LOGO PUNCHED OR STAMPED INTO FLAT RECTANGULAR AREA. MINIMUM LETTER HEIGHT IS 1/2". MINIMUM DEPTH IS 1/16". DOUBLE PULLBOXES REQUIRE ONLY ONE LOGO. ALL HOLES IN THE COVER SHALL BE 9/16" IN DIA.

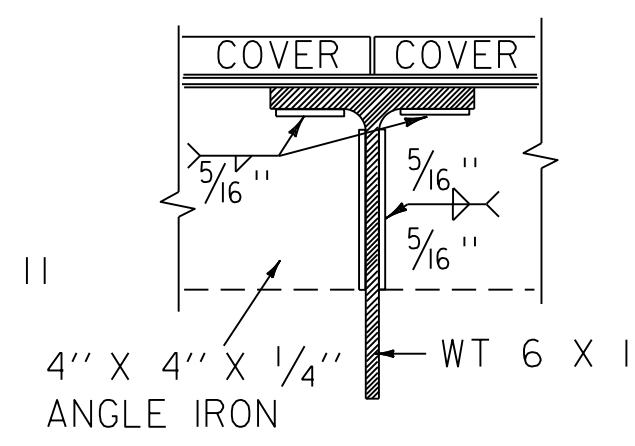
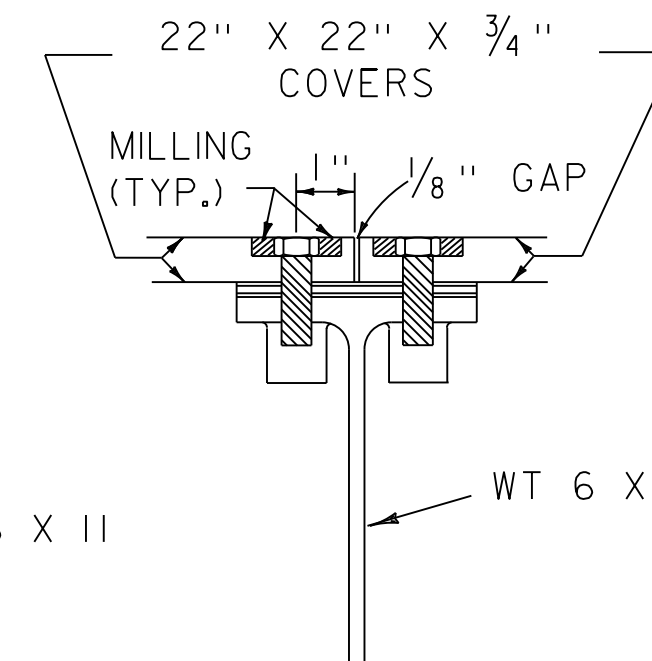
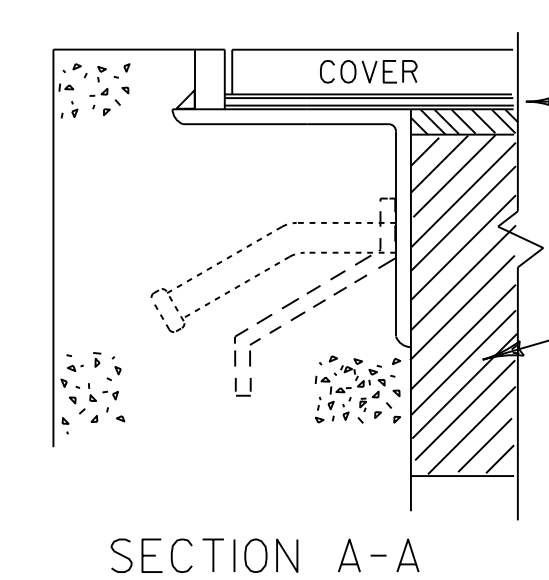
PULLBOX COVER & LOGO DETAILS



NEOPRENE GASKET SHALL BE MADE FROM 3" STRIPS CUT AT A 45 ANGLE. USE A 4" STRIP WITH A BUTT JOINT ALONG THE T-BAR ON DOUBLE PULLBOXES.

GASKET DETAIL

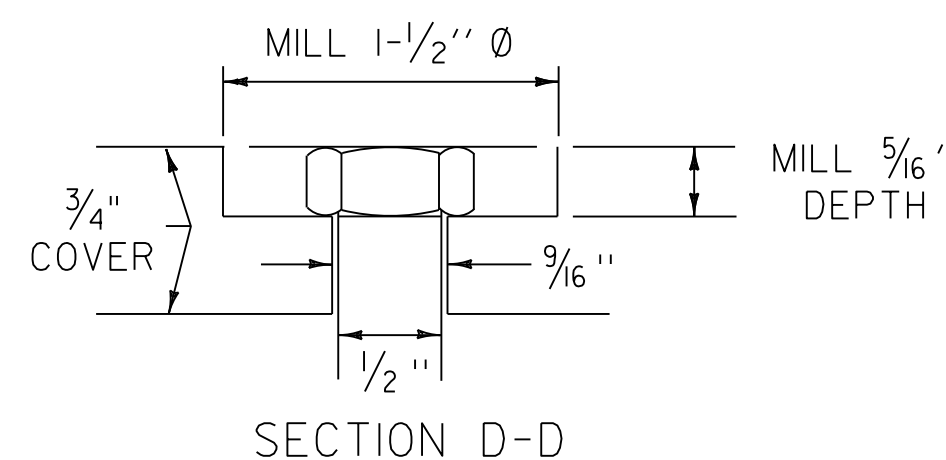
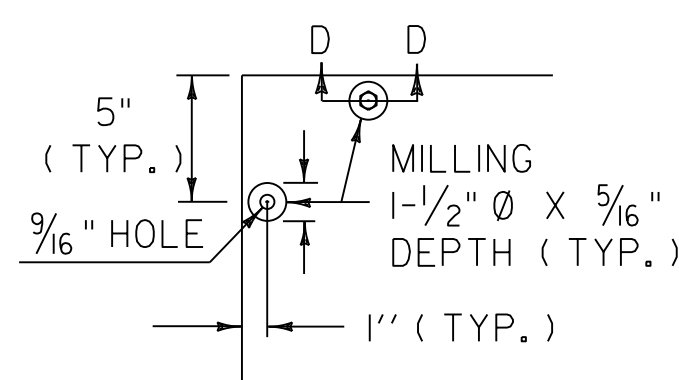
1/8" NEOPRENE GASKET WITH 2 LAYERS OF 1/16" X 3" BUTYL RUBBER TAPE



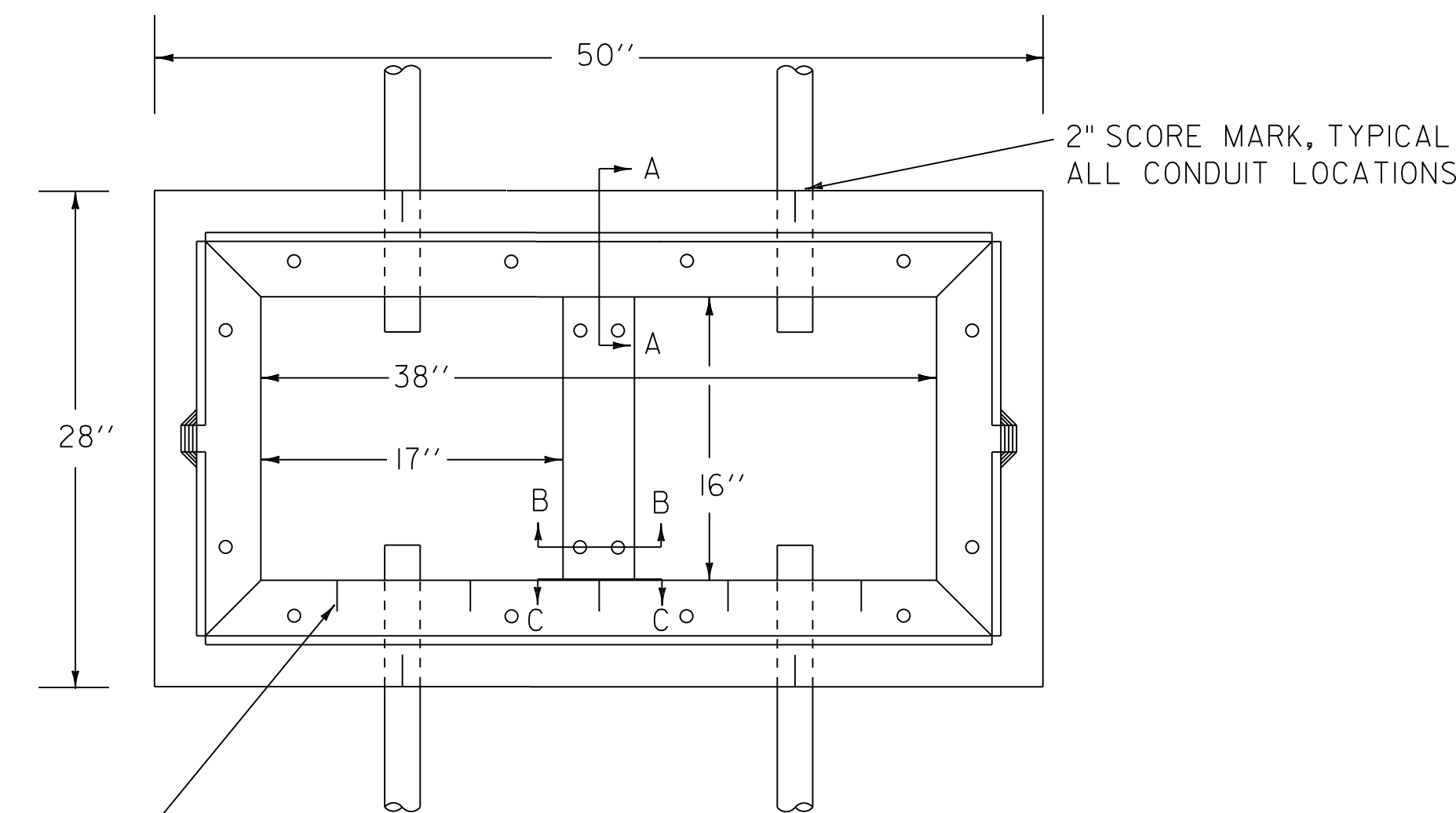
SECTION A-A

SECTION B-B

SECTION C-C

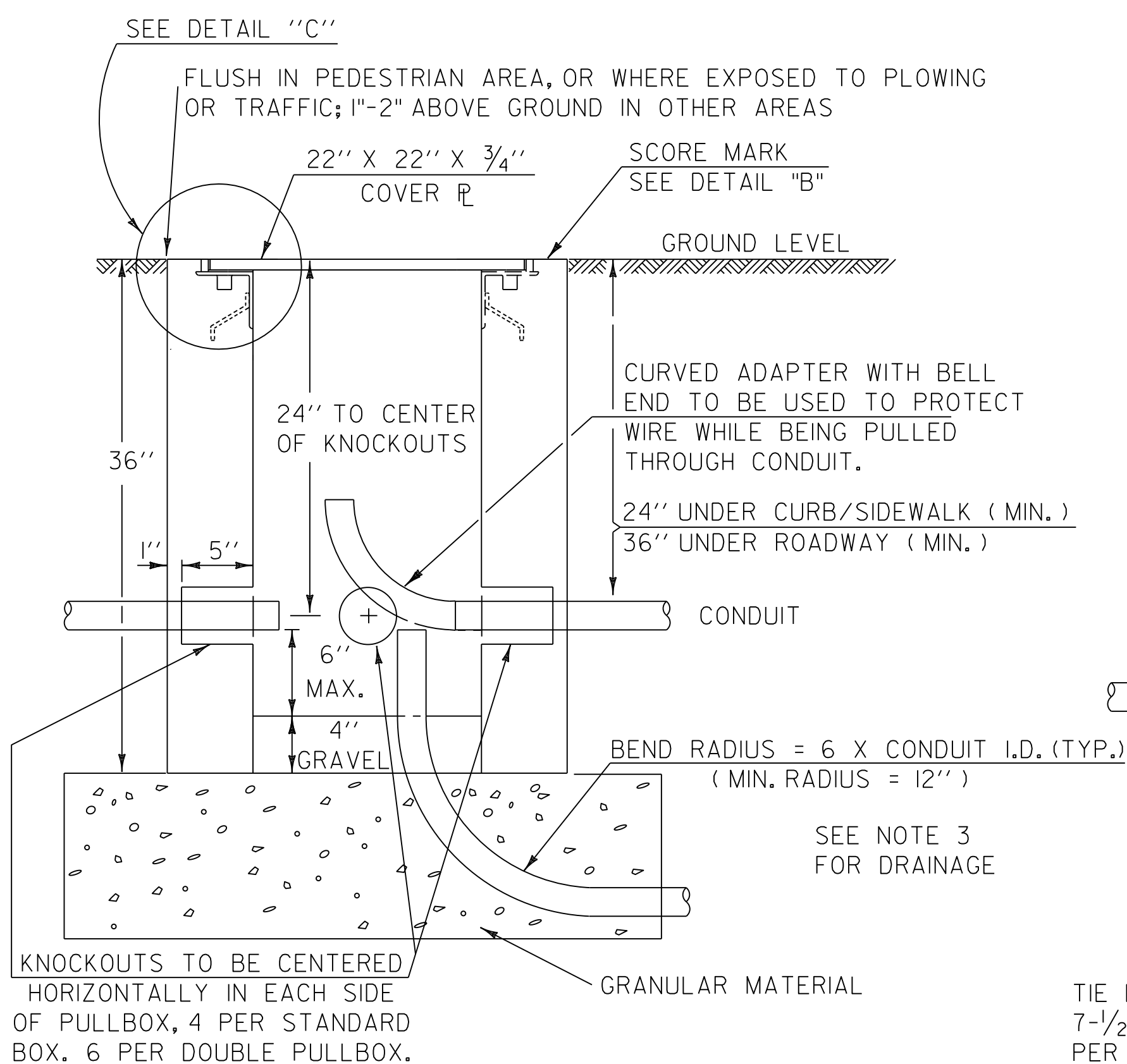


BOLT/MILLING DETAIL

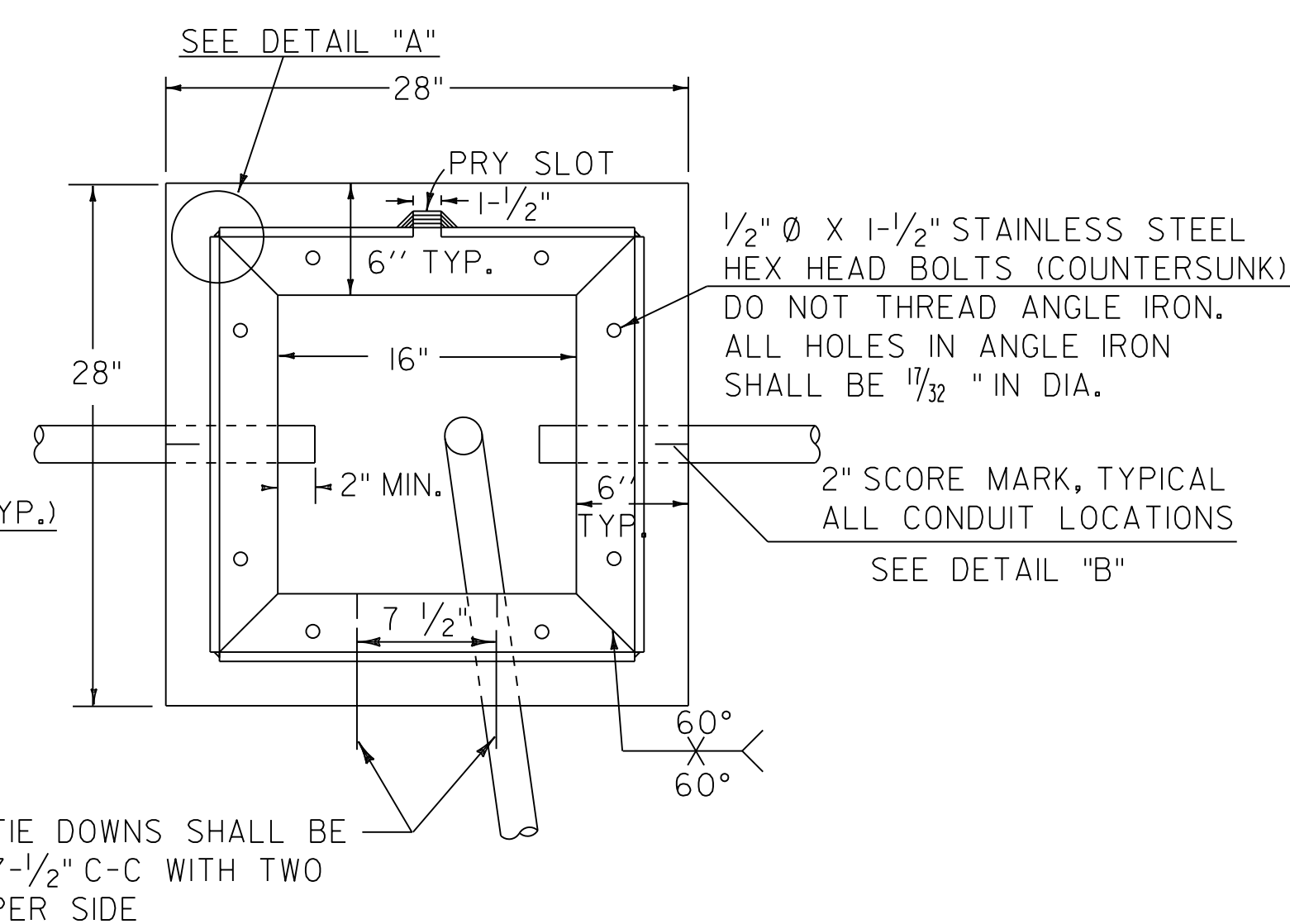


TIE DOWN SPACING FOR THE 50" SIDE SHALL BE 10-1/4", 7-1/2", 7-1/4", 7-1/4", 7-1/2", 10-1/4"

CONCRETE PULLBOX - DOUBLE



ELEVATION



PLAN

CONCRETE PULLBOX STANDARD

GENERAL NOTES

- ALL PULLBOXES SHALL BE CONSTRUCTED WITH CONCRETE, CLASS B.
- CONDUIT SHALL BE THE SIZE SHOWN ON THE PLANS.
- EXCAVATION FOR THE UNITS SHALL INCLUDE THE AREA ONE FOOT OUTSIDE THE UNITS AND EXTENDING ONE FOOT BELOW THE FINISH GRADE OF THE BOTTOM OF THE UNITS. ONE FOOT OF GRANULAR MATERIAL SHALL BE PLACED IN THE EXCAVATED AREA AND PROPERLY COMPACTED PRIOR TO INSTALLATION. WHERE NECESSARY AND AT THE DISCRETION OF THE ENGINEER, A DRAINAGE PIPE (MINIMUM 3" PERFORATED PVC) SHALL BE PROVIDED FROM THE UNIT TO THE NEAREST APPROPRIATE OUTLET. DRAINAGE WORK SHALL NOT BE PAID DIRECTLY, BUT WILL BE CONSIDERED PART OF THE PULLBOX PAY ITEM.
- ALL EXPOSED METAL HARDWARE, INCLUDING PULLBOX COVERS, FRAMES & ANGLES SHALL BE GALVANIZED OR STAINLESS STEEL.
- DOUBLE PULLBOXES CAN NOT HAVE CONDUIT ENTER THE BOX DIRECTLY BELOW THE "T" BAR.
- PRY SLOTS AND COVER GAPS SHALL BE FILLED WITH CAULKING JUST PRIOR TO PROJECT COMPLETION.
- WHEN INSTALLED ON SLOPES, PULLBOXES SHALL BE TIPPED TO MATCH THE SURROUNDING GRADE, TO A MAXIMUM OF 1:4 SLOPE. ON STEEPER SLOPES, THEY BE INSTALLED TO A 1:4 SLOPE. A SUFFICIENT AMOUNT OF THE EXCAVATED MATERIAL SHALL BE USED TO SHAPE AROUND THE LOW SIDE OF THE PULLBOX SUCH THAT THE MAXIMUM EXPOSURE IS 2". THE MATERIAL SHALL BE TAPERED OVER AN AREA EXTENDING ABOUT 5" FROM THE BOX. IF SUFFICIENT MATERIAL IS NOT AVAILABLE, MATERIAL MEETING THE REQUIREMENTS OF EARTH BORROW (SUBSECTION 703.02) SHALL BE USED. PAYMENT SHALL BE CONSIDERED INCIDENTAL TO THE PULLBOX PAY ITEM.
- ALL CORNERS SHALL BE FLUSH WITH THE BOXES AND FRAMES.
- ALL CONDUITS ENTERING A PULLBOX SHALL HAVE BUSHINGS TO PROTECT THE CABLES. ALL UNUSED CONDUIT SHALL BE FILLED WITH STEEL WOOL AND DUCT SEALED.

REV.	DATE	DESCRIPTION
0	MAR. 1, 2023	ORIGINAL APPROVAL
OTHER DETAILS REQUIRED: NONE		
DETAILS APPROVED FOR USE BY HIGHWAY SAFETY & DESIGN		

PULLBOXES



**HIGHWAY SAFETY
 & DESIGN DETAIL
 HSD - 678.05**