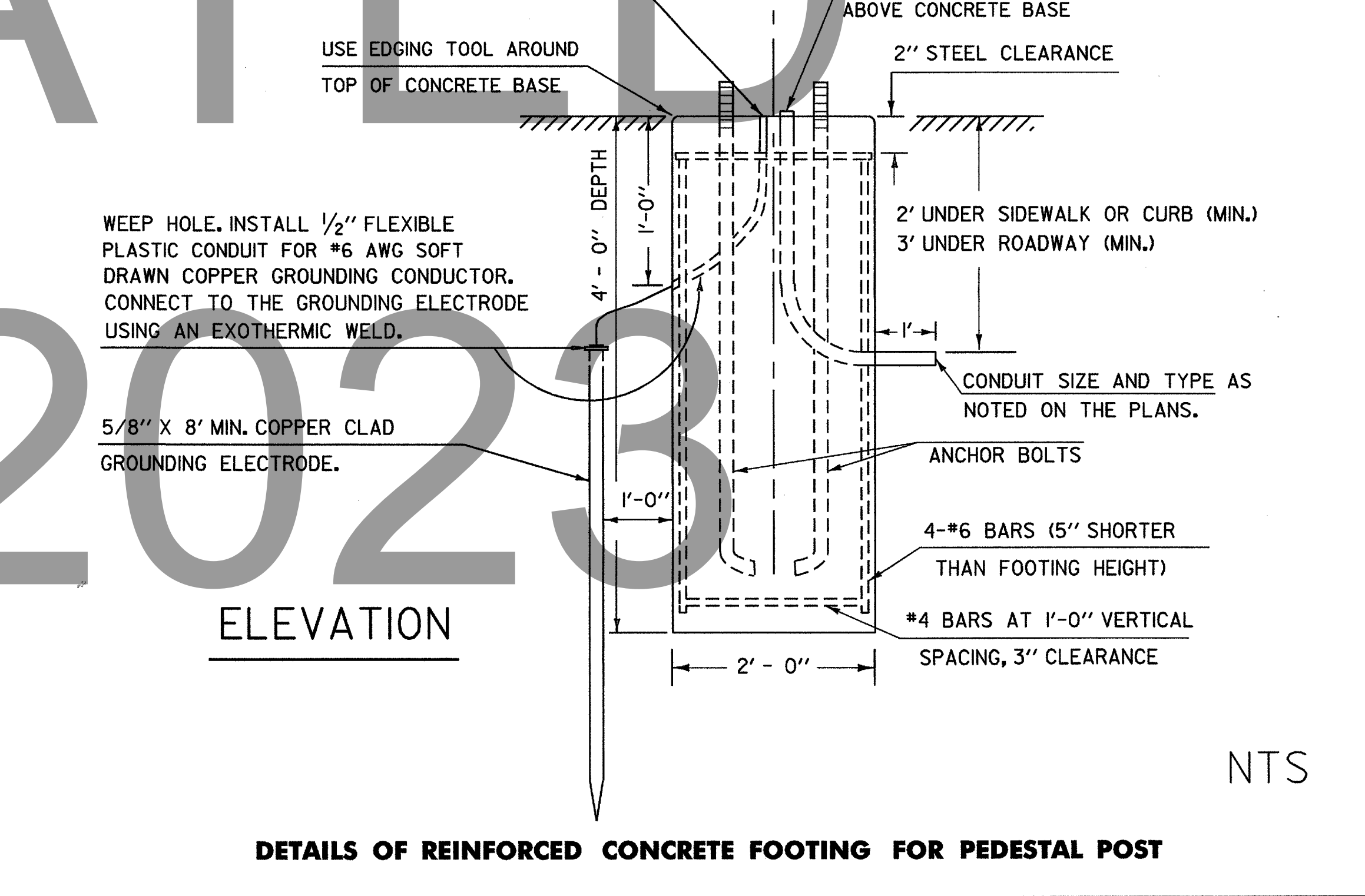
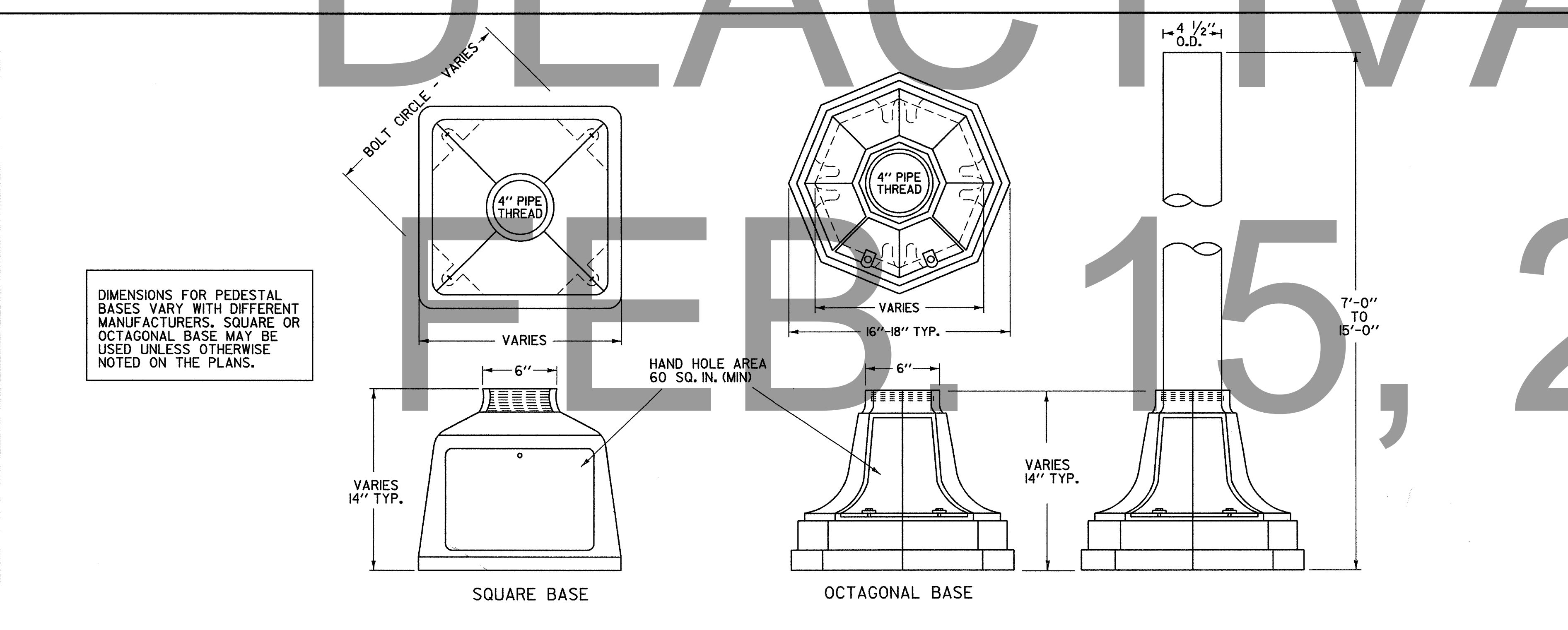
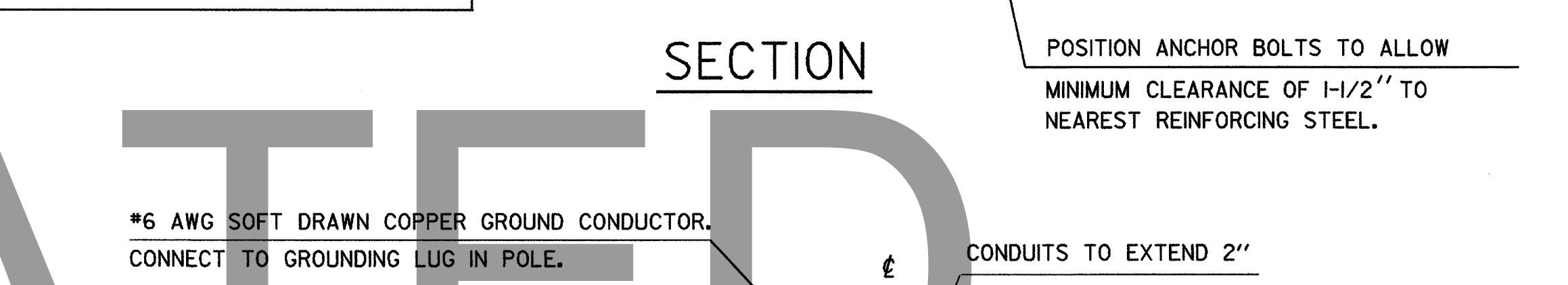
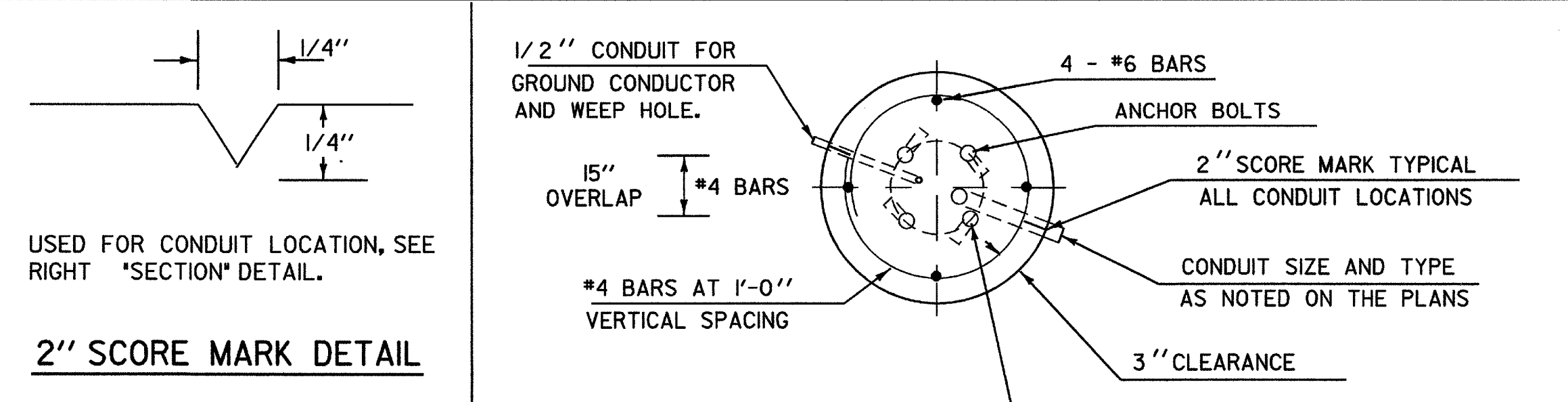


- NOTES**
1. REFER TO STANDARD E-171A FOR TRAFFIC SIGNAL GENERAL NOTES.
  2. STEEL PEDESTAL POSTS AND BASES SHALL BE PAINTED FEDERAL YELLOW, AFTER GALVANIZATION, UNLESS OTHERWISE NOTED IN THE PLANS. ALUMINUM POSTS AND BASES SHALL HAVE A NATURAL ALUMINUM FINISH.
  3. ALL PEDESTAL POLES WHICH ARE PROVIDED WITH A BREAKAWAY FEATURE SHALL CONFORM TO THE REQUIREMENTS OF THE AASHTO 1985 STANDARD SPECIFICATIONS FOR STRUCTURAL SUPPORTS FOR HIGHWAY SIGNS, LUMINAIRES, AND TRAFFIC SIGNALS, SECTION 7 AND SUBSEQUENT REVISIONS.
  4. REFER TO STD E-171C FOR PEDESTRIAN PUSH BUTTON ACCESSIBILITY DETAILS.
  5. PUSH BUTTON CONTROLS SHALL BE RAISED FROM OR FLUSH WITH THEIR HOUSINGS AND SHALL BE A MINIMUM OF 2' IN THE SMALLEST DIMENSIONS. THE FORCE REQUIRED TO ACTIVATE CONTROLS SHALL BE NO GREATER THAN 5 lbf.



**REVISIONS AND CORRECTIONS**

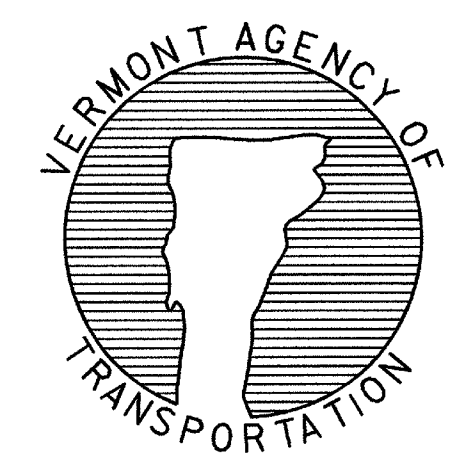
JUNE 21, 1989 - DATE OF ORIGINAL ISSUE  
MAY 14, 1990 - FHWA COMMENTS  
NOV. 17, 1993 - MISC. COMMENTS  
AUG. 9, 1995 - CORRECTED BUTTON HEIGHT, ADDED NOTE 4, REVISED BASE GROUNDING & OTHER STDS REQUIRED.  
NOV. 4, 1999 - CHANGED PED. POLE INSTALLATION NOTE. PER AASHTO SPECIFICATIONS

**APPROVED**

*[Signature]*  
DIRECTOR OF PROJECT DEVELOPMENT

**TRAFFIC CONTROL SIGNALS  
PEDESTAL POST MOUNTED**

**OTHER STDS. REQUIRED** E - 140, E - 171A, E-171B, E-171C



**STANDARD  
E-170**