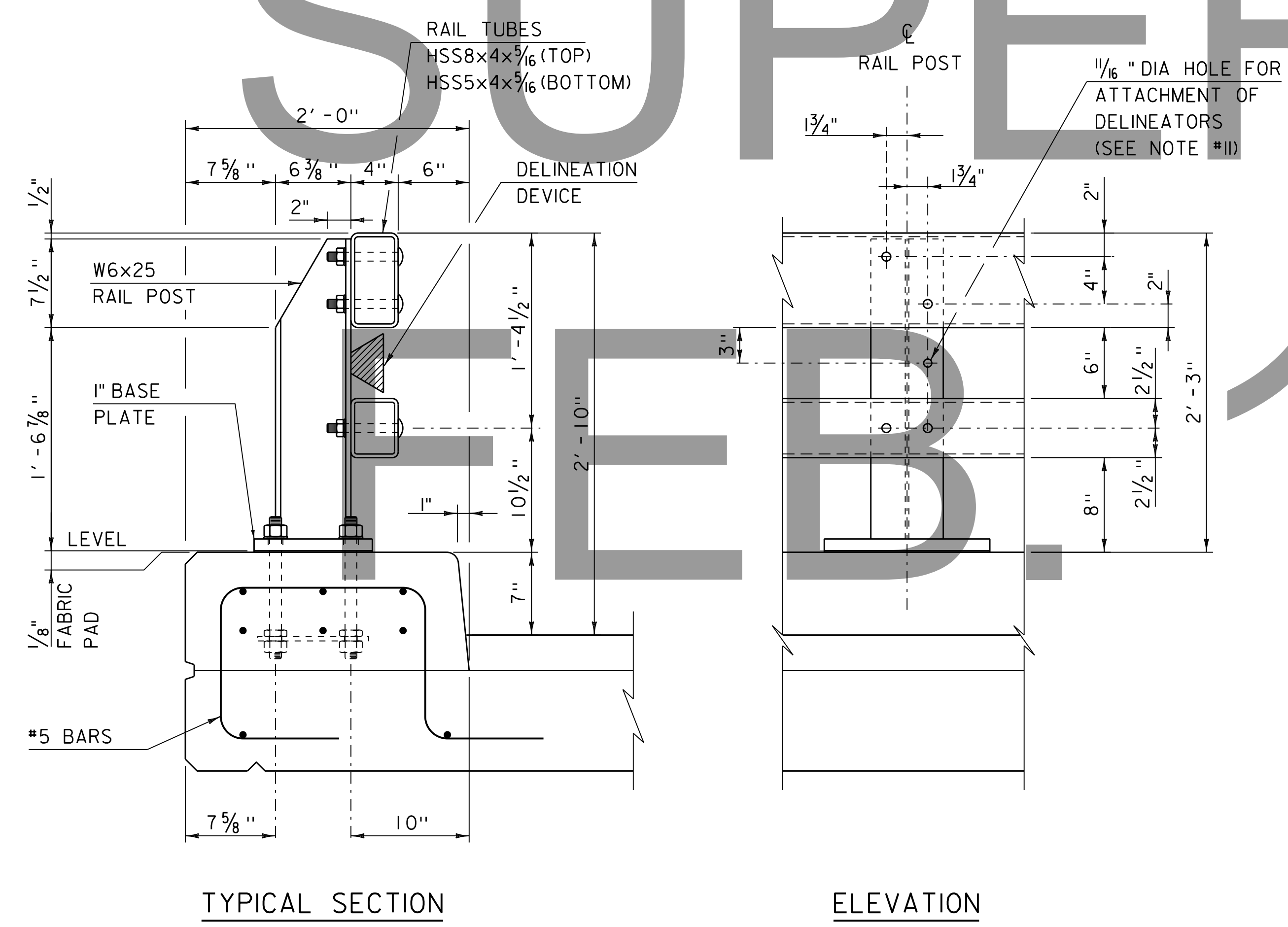


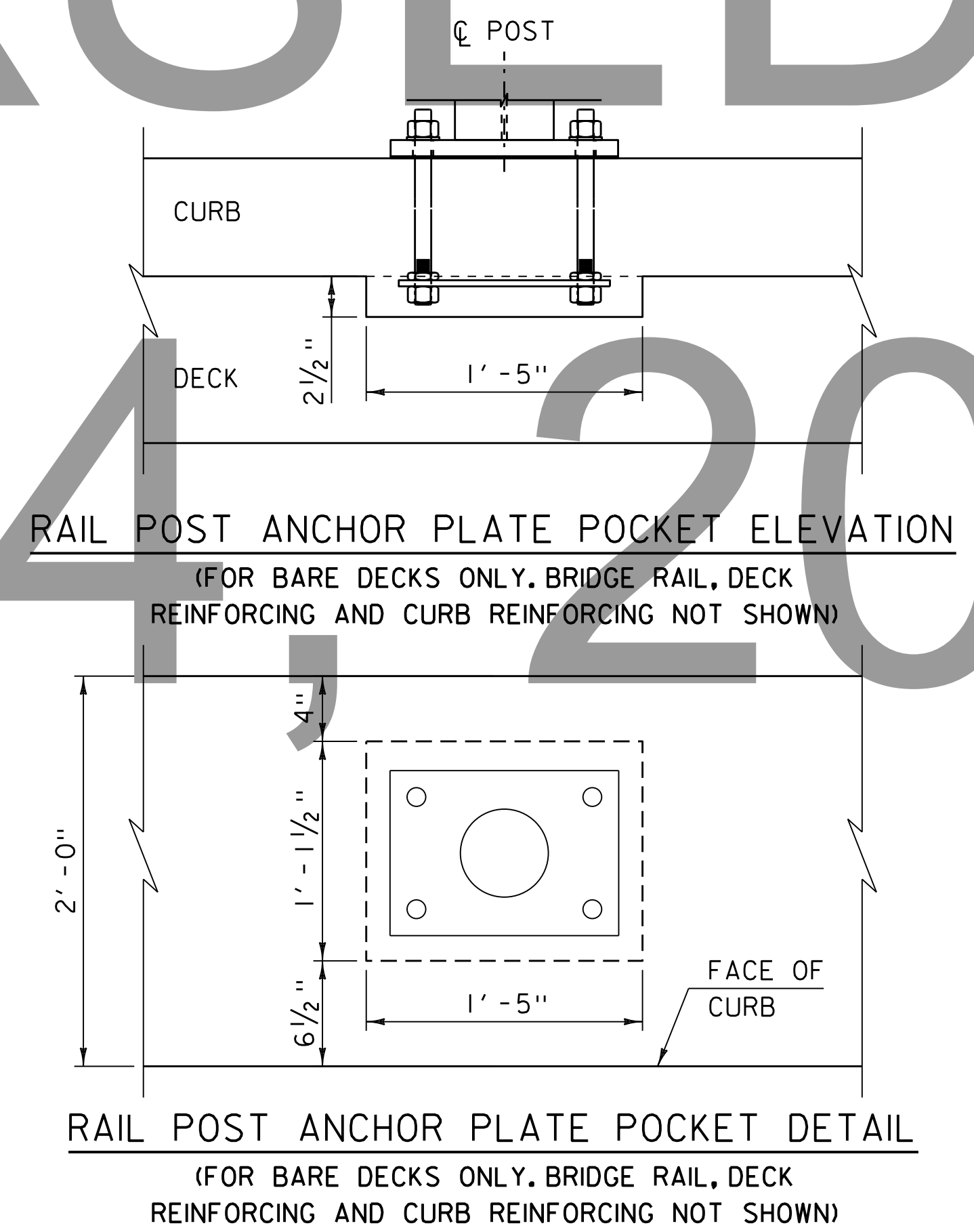
CURB REINFORCING PLAN

BRIDGE RAILING ELEVATION



TYPICAL SECTION

ELEVATION



NOTES:

- ALL WORK AND MATERIALS SHALL CONFORM TO SECTION 525.
- PRIOR TO GALVANIZING, GRIND ALL EDGES TO A MINIMUM RADIUS OF 1/16".
- ALL POSTS SHALL BE SET NORMAL TO GRADE.
- SECTIONS OF RAIL TUBE SHALL BE ATTACHED TO A MINIMUM OF TWO BRIDGE RAIL POSTS AND PREFERABLY TO AT LEAST FOUR POSTS.
- RAIL TUBE EXPANSION JOINTS SHALL BE PROVIDED IN ANY RAIL BAY SPANNING THE END OF AN INTEGRAL ABUTMENT BRIDGE AND AT ALL SUPERSTRUCTURE EXPANSION JOINTS. EXPANSION JOINT WIDTH SHALL BE 4" AT 68°F AND WILL BE ADJUSTED IN THE FIELD BY THE ENGINEER FOR OTHER TEMPERATURES.
- HOLES IN RAILS FOR RAIL TUBE ATTACHMENT AND HOLES IN POSTS FOR DELINEATORS MAY BE FIELD-DRILLED. HOLES SHALL BE COATED WITH AN APPROVED ZINC-RICH PAINT IN ACCORDANCE WITH 726.08 PRIOR TO INSTALLATION.
- RAIL POST ANCHORING NUTS SHALL BE TIGHTENED TO A SNUG FIT AND GIVEN AN ADDITIONAL ONE-EIGHTH TURN.
- RAIL TUBES SHALL BE ATTACHED USING 3/4" FULL DIAMETER BODY ASTM A 449 (TYPE I) GALVANIZED ROUND HEAD BOLTS INSERTED THROUGH THE FACE OF THE TUBE. HOLES IN POSTS SHALL BE 1/8" LARGER THAN THE BOLT SIZE.
- ANY BENDING OF RAIL SHALL BE DONE AT A FABRICATION PLANT ACCORDING TO A PROCEDURE PROVIDED BY THE FABRICATOR.
- THE MINIMUM DISTANCE FROM THE POST TO AN EXPANSION JOINT SHALL BE DETERMINED BY THE MINIMUM EDGE DISTANCE OF 5" FROM ANY ANCHOR STUD TO THE END OF THE SLAB, OR TO THE EXPANSION JOINT RECESS POUR, IF ONE IS USED.
- A DELINEATOR SHALL BE INSTALLED AT 30 FOOT SPACING OR THE NEAREST POST. WHITE IS TO BE INSTALLED ON THE DRIVER'S RIGHT. FOR ONE WAY BRIDGES, YELLOW IS TO BE INSTALLED ON THE DRIVER'S LEFT. PAYMENT SHALL BE INCIDENTAL TO OTHER ITEMS.
- THIS RAILING MEETS THE REQUIREMENTS FOR A MASH TL-3 SERVICE LEVEL.

REV.	DATE	DESCRIPTION
0	DEC. 14, 2009	ORIGINAL APPROVAL
2	FEB. 2, 2017	BORDER UPDATE, MISC. REVISIONS
3	APR. 7 2020	BOLT LOCATION IN EXPANSION JOINT DETAIL
4	FEB. 17, 2022	NETC 18-01, PERFORMANCE RECOMMENDATIONS (INCL. RAIL SIZES, REBAR, AND OTHER CHANGES)

OTHER STANDARDS REQUIRED: S-360B, S-360C
VTRANS AND FHWA APPROVAL ON FILE WITH CONTRACT ADMINISTRATION

BRIDGE RAILING, GALVANIZED
2 RAIL BOX BEAM



STANDARD
S-360A