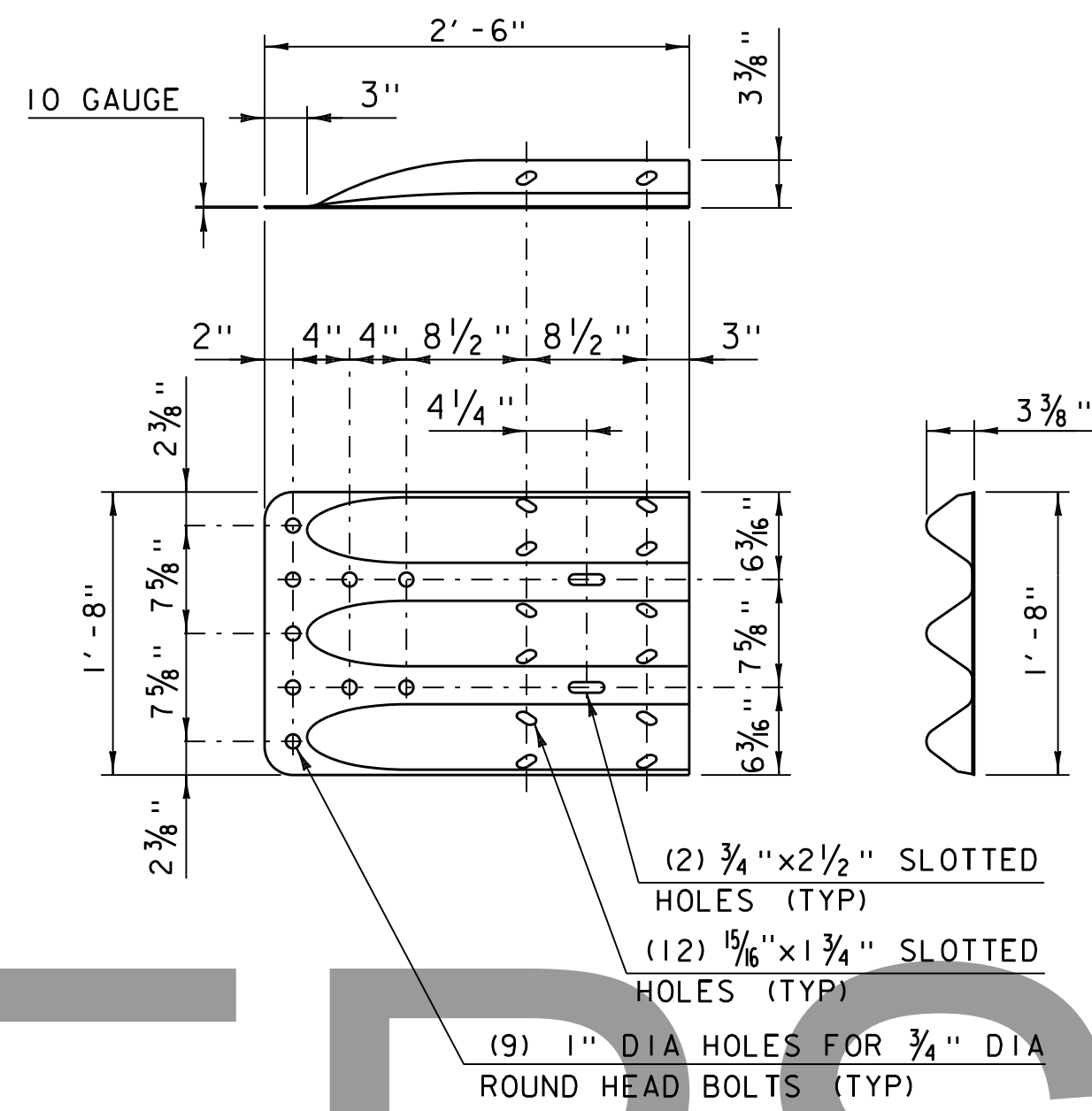
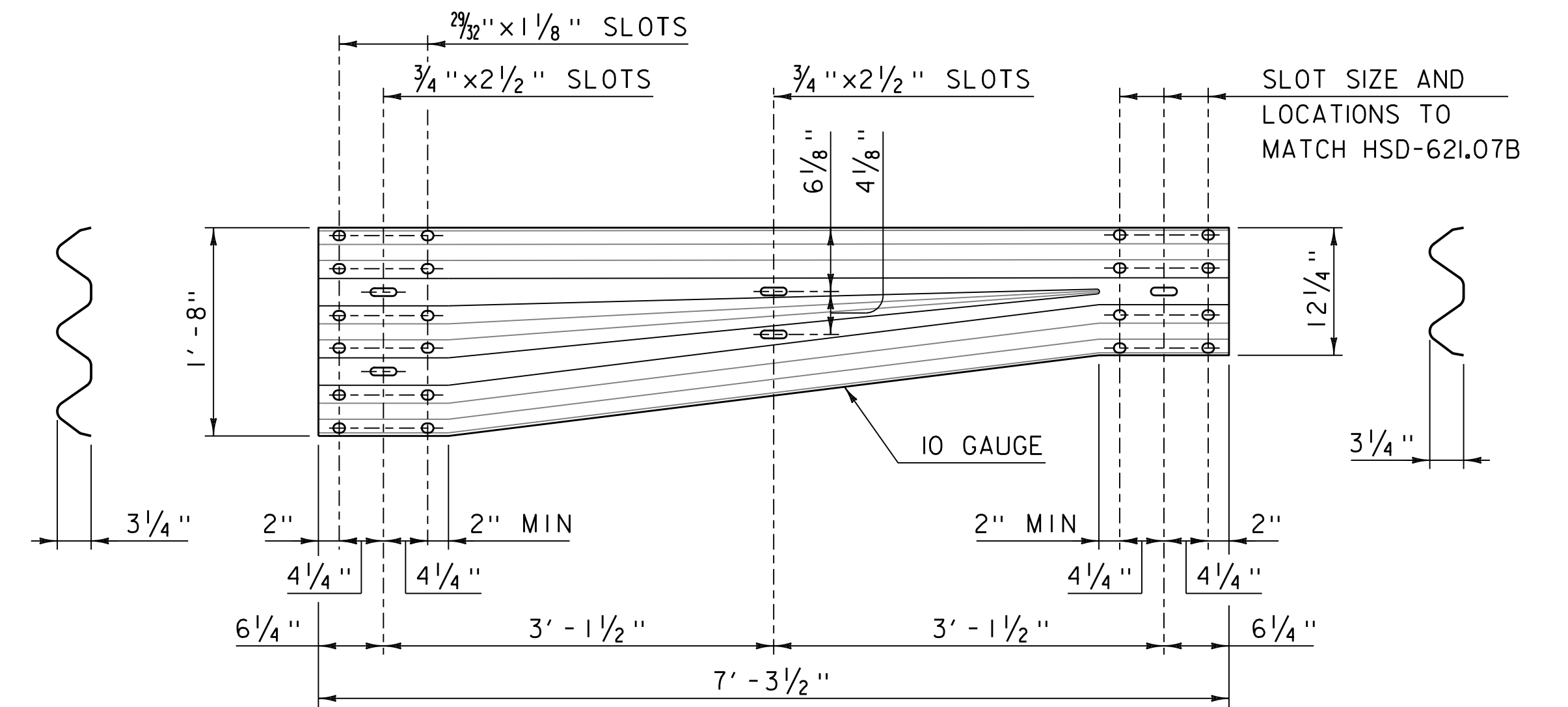


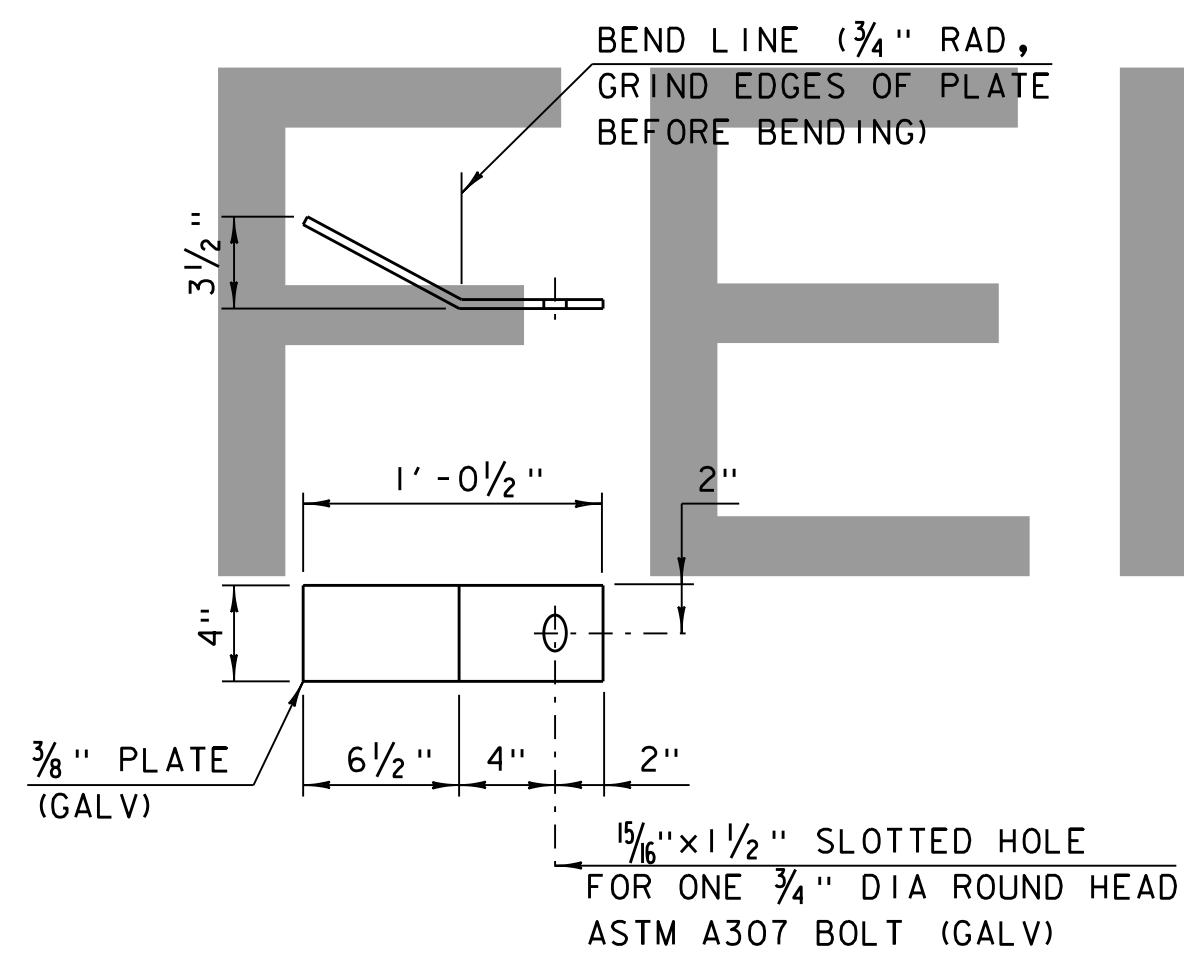
THRIE BEAM GUARDRAIL ASSEMBLY
(SEE STD S-360B)



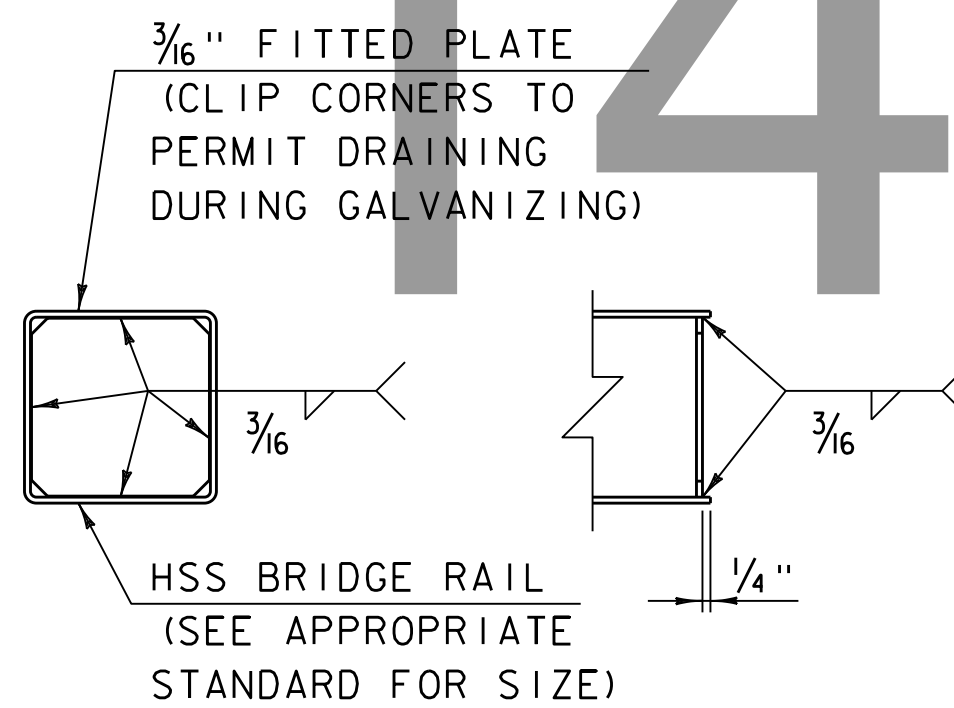
THRIE-BEAM TERMINAL CONNECTOR
(ARTBA RTE01b)



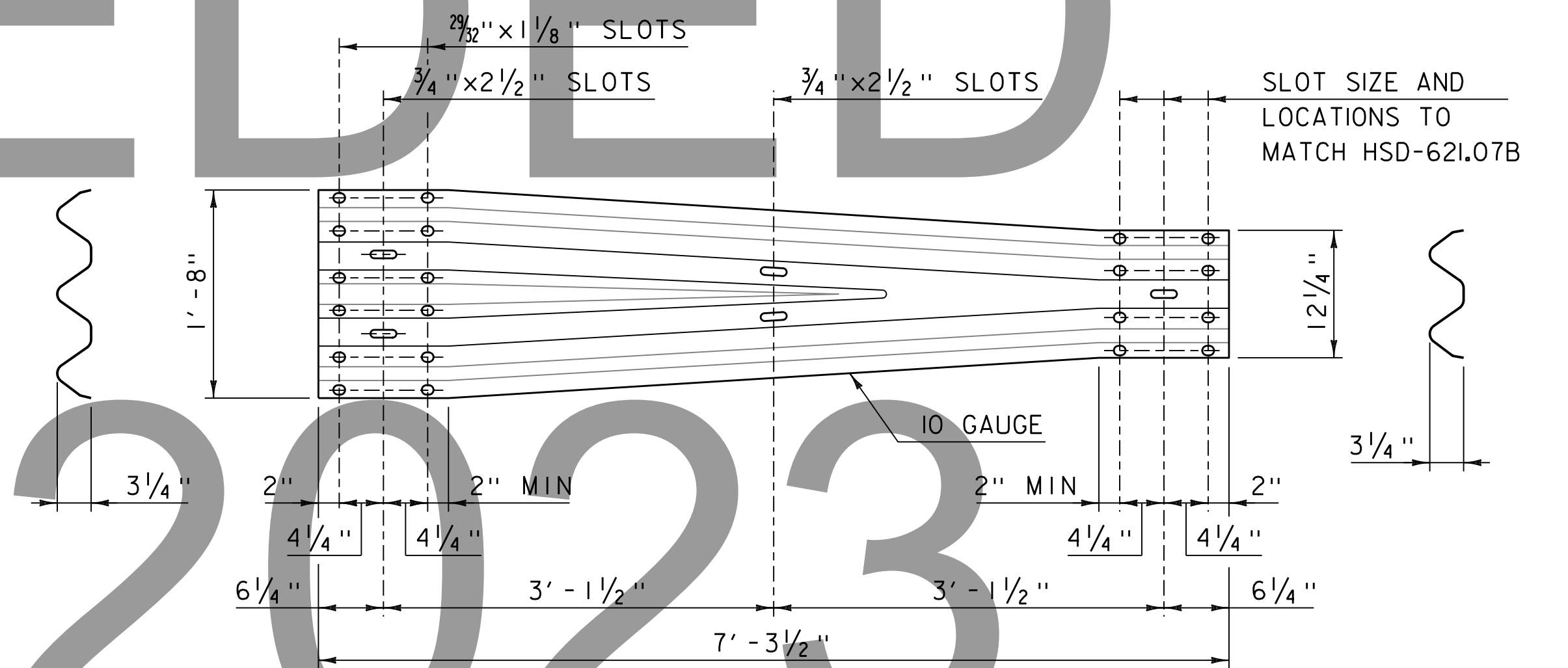
ASYMMETRICAL THRIE-BEAM TO STANDARD STEEL BEAM TRANSITION SECTION
(ARTBA RWT02) (SEE NOTE #1)



DEFLECTOR PLATE DETAIL



END OF RAIL DETAIL



THRIE-BEAM TO STANDARD STEEL BEAM TRANSITION SECTION
(ARTBA RWT01a-b)

NOTES:

1. THE ASYMMETRICAL THRIE-BEAM TO STANDARD STEEL BEAM TRANSITION SECTION IS TO BE USED WHEN THE STEEL BEAM RAIL HEIGHT IS 32".

REV.	DATE	DESCRIPTION
0	DEC. 14, 2009	ORIGINAL APPROVAL
1	APR. 23, 2012	GENERAL UPDATE 2012
2	FEB. 2, 2017	BORDER UPDATE, MISC. REVISIONS
3	APR. 7, 2020	CORRECTED HOLE IN DEFLECTOR PLATE DETAIL
4	FEB. 17, 2022	NEW END OF RAIL DETAIL
OTHER STANDARDS REQUIRED: C-10		
VTRANS AND FHWA APPROVAL ON FILE WITH CONTRACT ADMINISTRATION		

THRIE-BEAM TO STANDARD STEEL BEAM TRANSITION SECTION



STANDARD
S-363