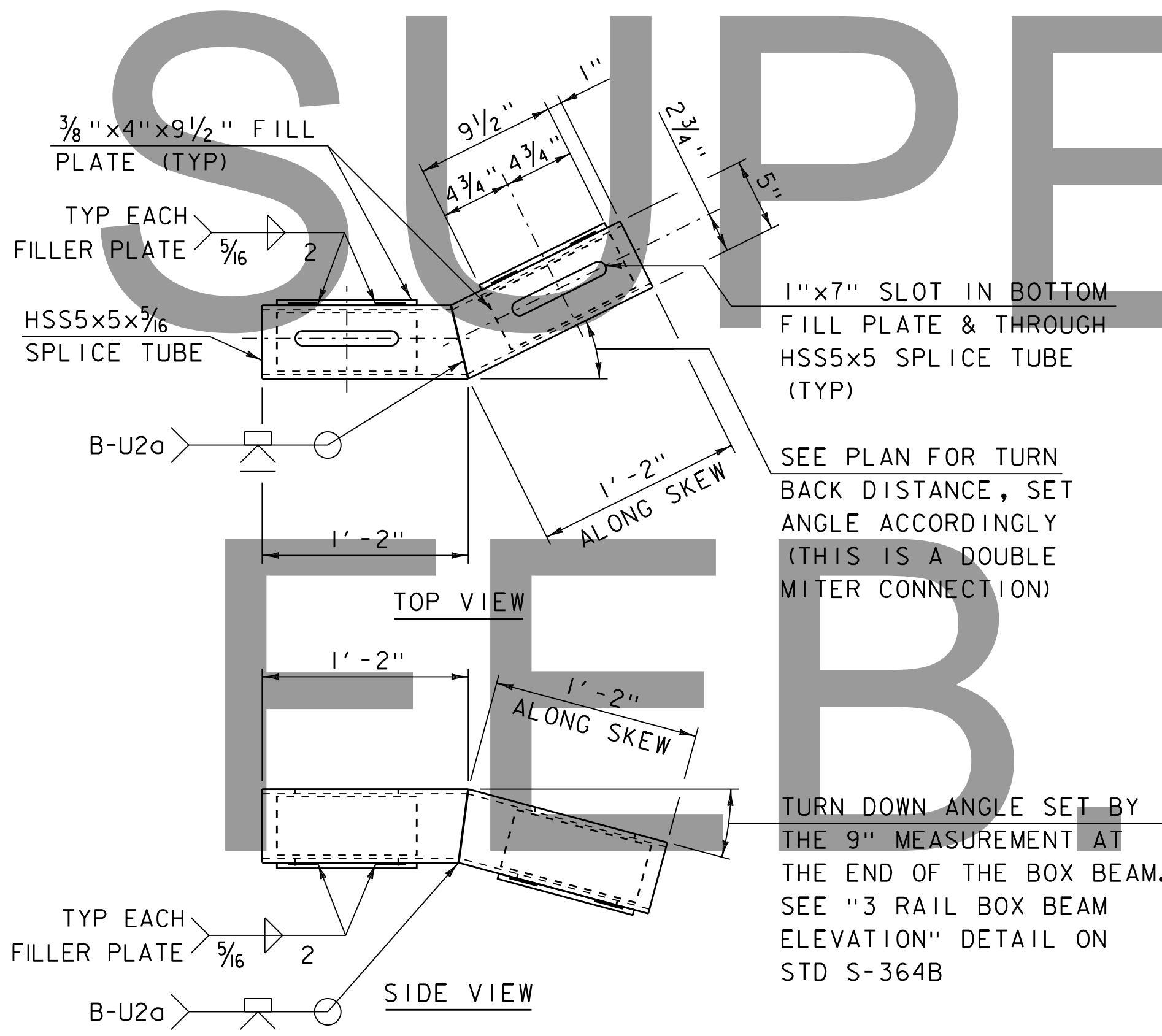
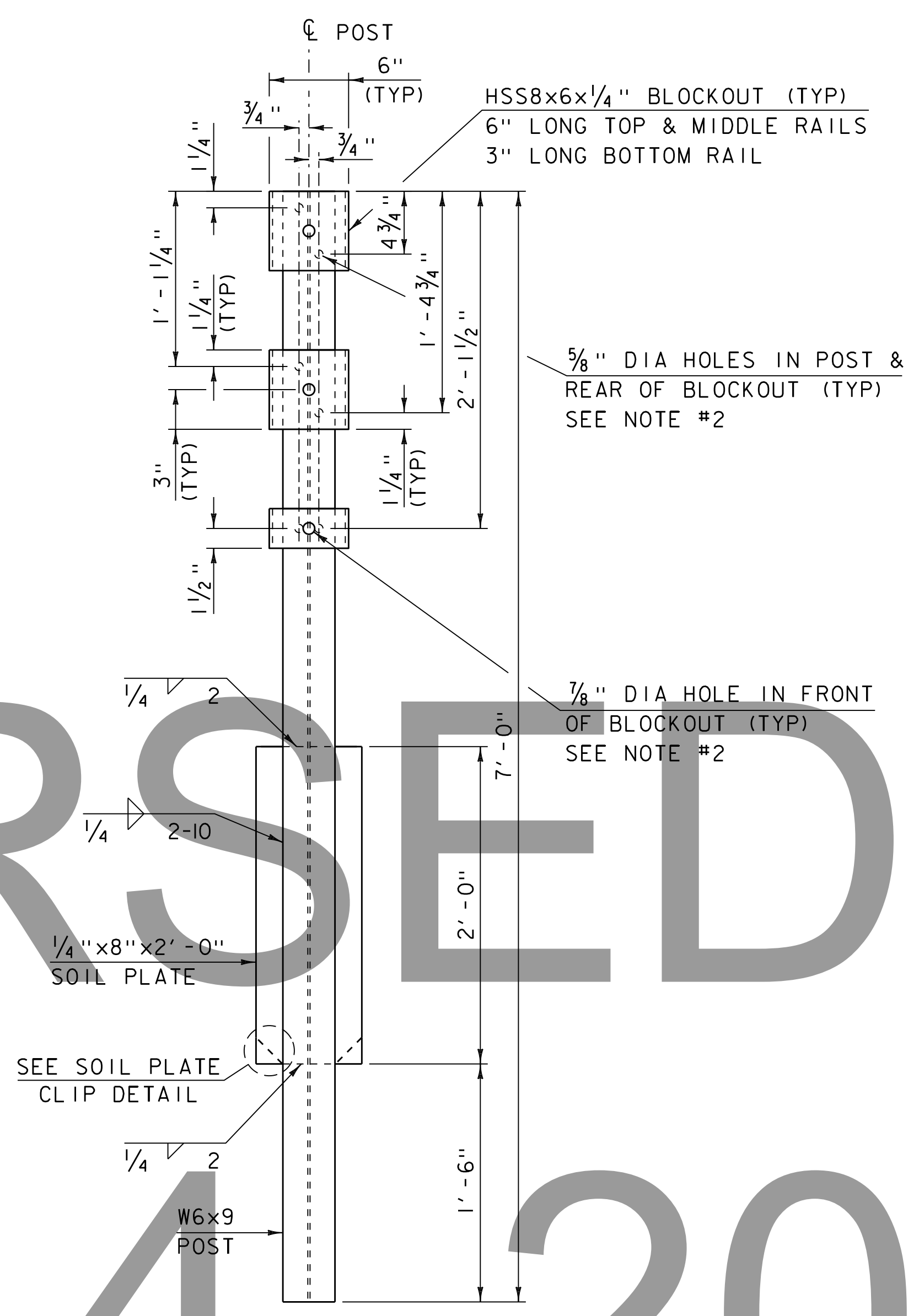


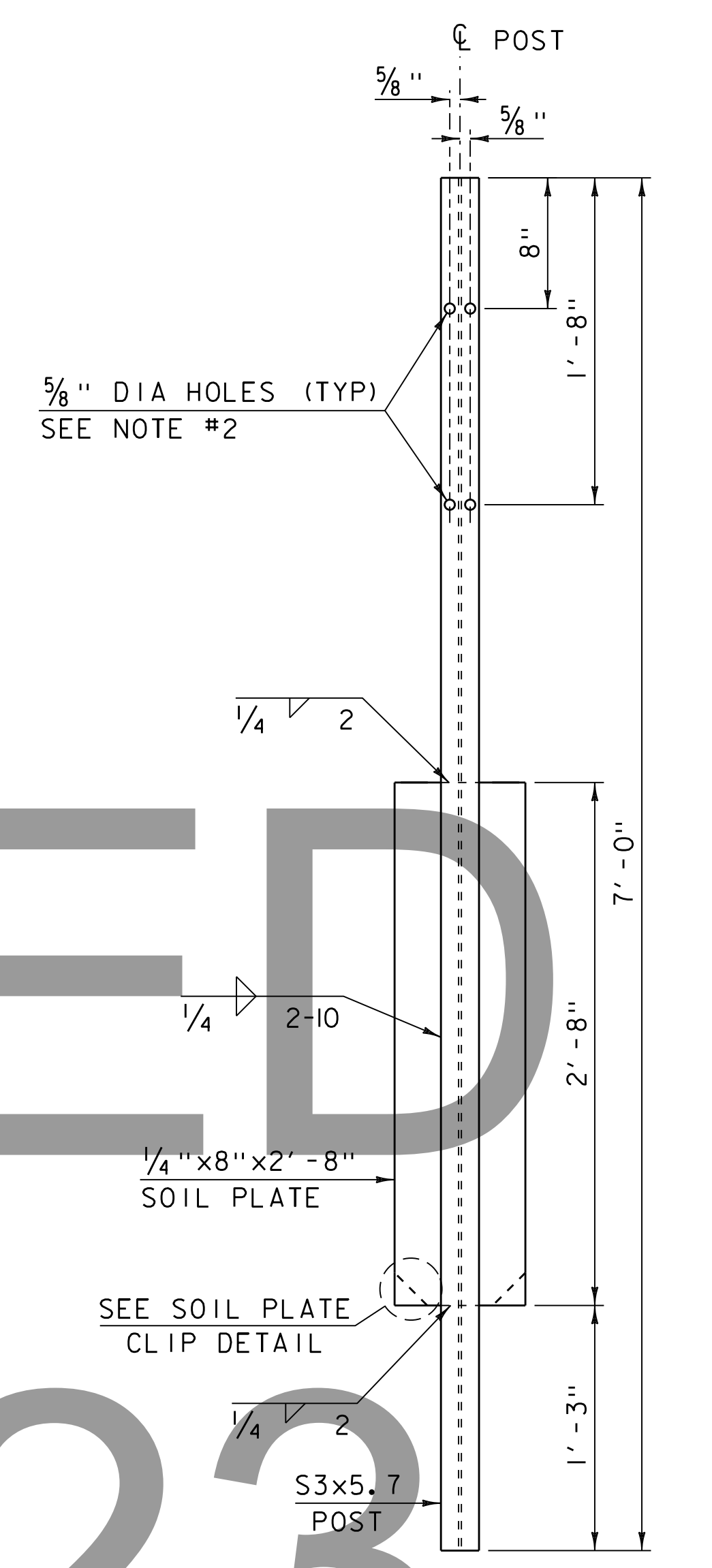
TOP VIEW  
TURN BACK SPLICE TUBE ASSEMBLY



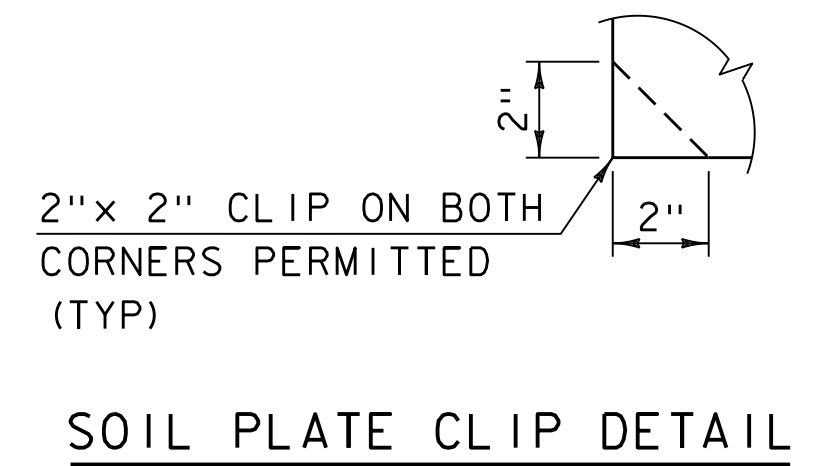
TURN BACK SPLICE TUBE DETAIL  
TURN BACK & TURN DOWN TUBE JOINT



HEAVY POST DETAIL



TRANSITION POST DETAIL



- NOTES:
1. PROTRUSIONS CAUSED BY WELDING OR GALVANIZING ARE NOT PERMITTED ON THE ADJOINING SURFACES OF THE BOX BEAM RAILS, SPLICE TUBES AND FILL PLATES.
  2. HOLES IN THE POST FOR MIDDLE AND BOTTOM RAILS MAY BE LOCATED AND DRILLED IN THE FIELD. IF SO, THE GALVANIZING SHALL BE REPAIRED IN ACCORDANCE WITH SPECIFICATION SECTION 726.08.

REV.	DATE	DESCRIPTION
0	AUGUST 9, 2010	ORIGINAL APPROVAL
1	APRIL 23, 2012	GENERAL UPDATE 2012
2	FEBRUARY 2, 2017	BORDER UPDATE, MISC. REVISIONS
3	FEB. 17, 2022	UPDATED GALVANIZING NOTE AND WELD SIZES
OTHER STANDARDS REQUIRED: S-364B		
VTRANS AND FHWA APPROVAL ON FILE WITH CONTRACT ADMINISTRATION		

## GUARDRAIL APPROACH SECTION, GALVANIZED 3 RAIL BOX BEAM



STANDARD  
S - 364D