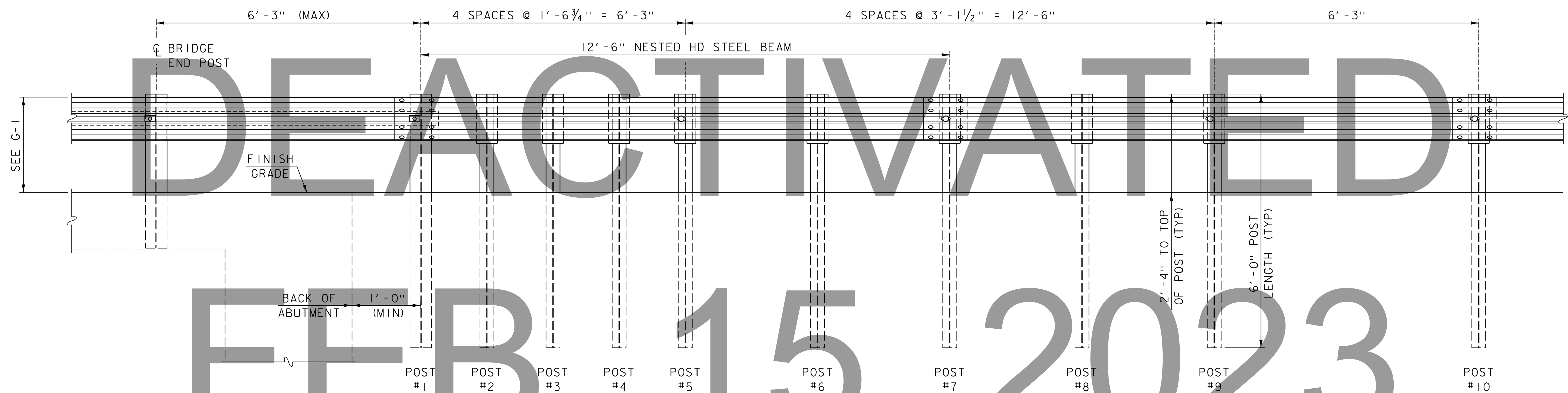
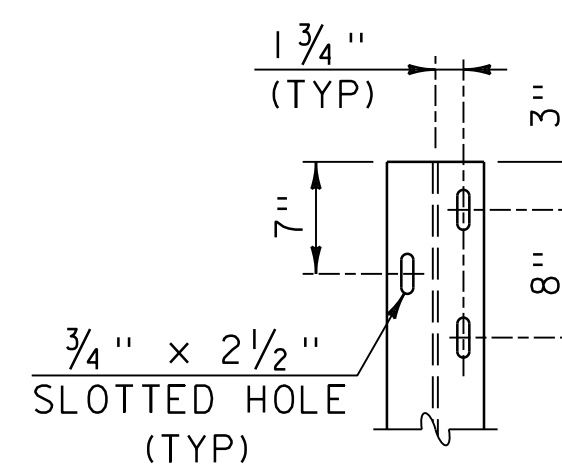


RAILING PLAN



RAILING ELEVATION



POST #1 HOLE DETAIL

NOTES:

1. PAYMENT FOR POST #1, HSS8x4x3/16 OFFSET BLOCKS AND TUBULAR BACKUP RAIL EXTENDING TO POST #1 OFF THE BRIDGE SHALL BE MADE UNDER BRIDGE RAILING, GALVANIZED HDSB/FASCIA MOUNTED/STEEL TUBING.
2. BLOCKOUTS SHALL BE RECESSED WOOD ONLY. STEEL OR PLASTIC BLOCKOUTS ARE NOT PERMITTED.
3. GUARDRAIL IS NOT ATTACHED TO POST NUMBERS 2-4, 6 AND 8. THERE SHALL BE NO GAP BETWEEN THE POSTS THAT ARE NOT ATTACHED AND THE RAIL. OFFSET BLOCKS SHALL BE ATTACHED TO POST WITH STANDARD POST BOLT.
4. POSTS MAY BE SET IN DRILLED HOLES OR DRIVEN TO GRADE.
5. THIS RAILING MEETS THE REQUIREMENTS FOR A NCHRP REPORT 350 TL-3 SERVICE LEVEL.

REV.	DATE	DESCRIPTION
0	MAY 24, 2012	ORIGINAL APPROVAL
1	FEBRUARY 2, 2017	BORDER UPDATE, MISC. REVISIONS
OTHER STANDARDS REQUIRED: G-1		
VTRANS AND FHWA APPROVAL ON FILE WITH CONTRACT ADMINISTRATION		

GUARDRAIL APPROACH SECTION,  
GALVANIZED HD STEEL BEAM



STANDARD  
S-367B