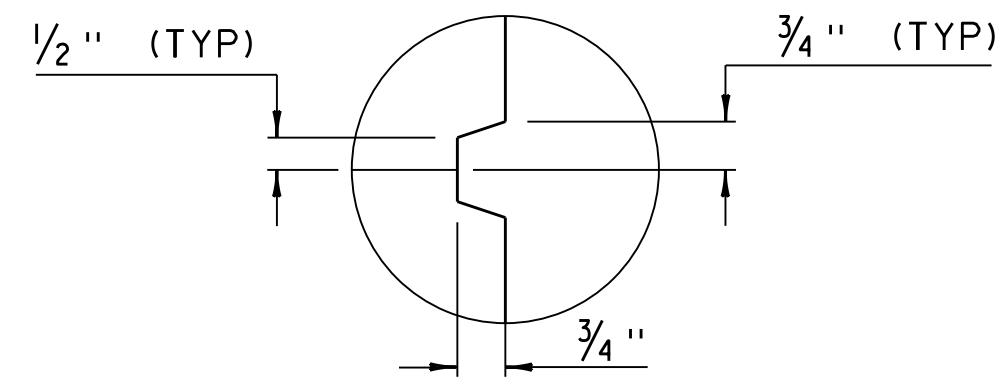
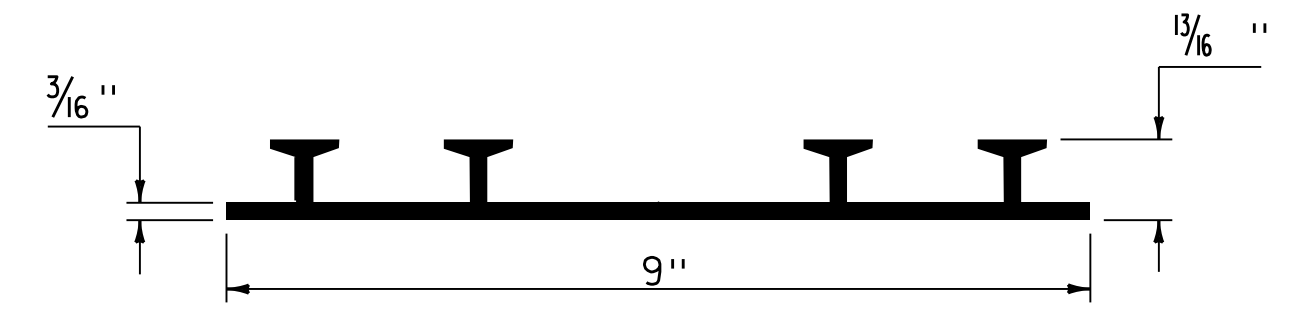


CONCRETE GENERAL NOTES

- ALL EXPOSED EDGES OF CONCRETE SHALL BE CHAMFERED 1" x 1"



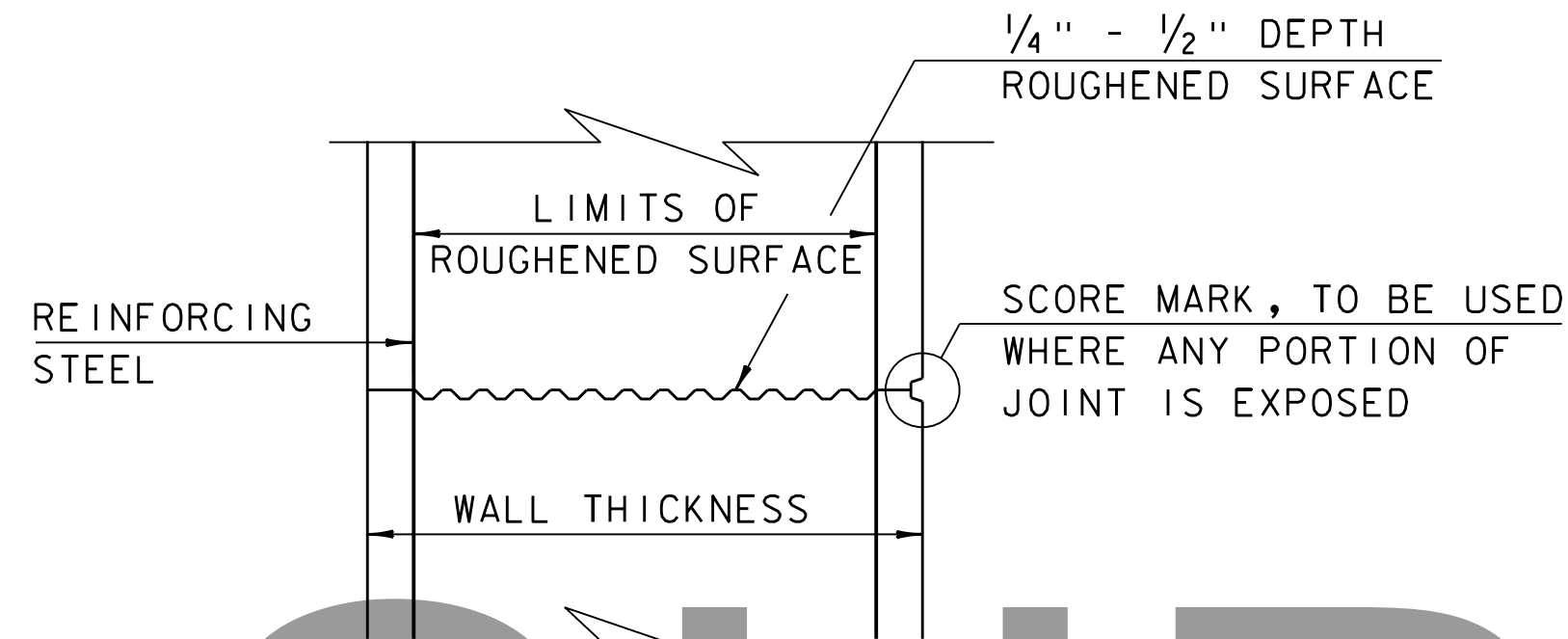
SCORE MARK DETAIL
(NOT TO SCALE)



P.V.C. WATERSTOP FOR CONSTRUCTION JOINTS
(NOT TO SCALE)

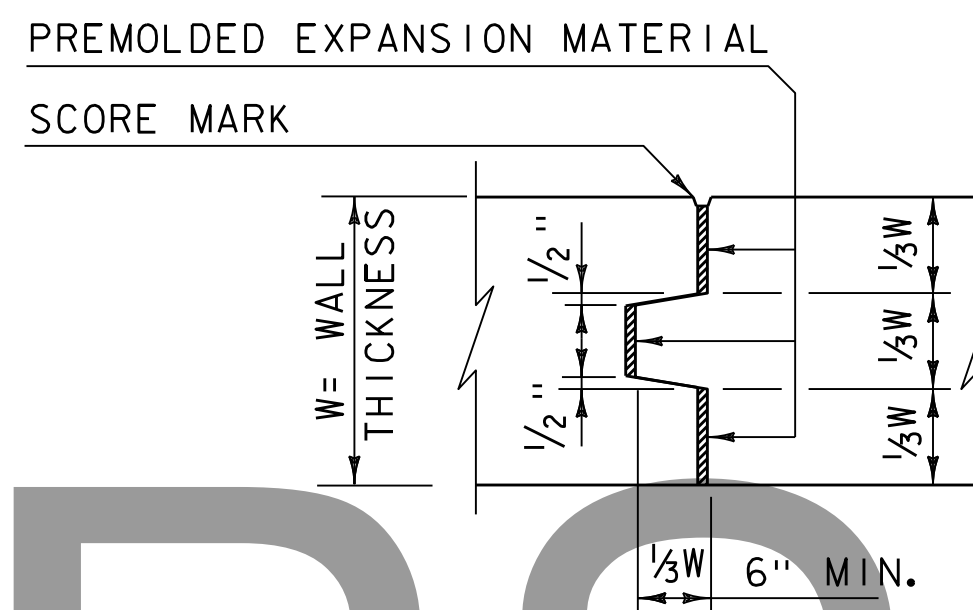
PAYMENT FOR THE P.V.C. WATERSTOP SHALL BE INCIDENTAL TO THE UNIT BID PRICE FOR THE ADJACENT CONCRETE.

OTHER CONFIGURATIONS OF WATERSTOP MAY BE USED UPON APPROVAL OF THE ENGINEER.

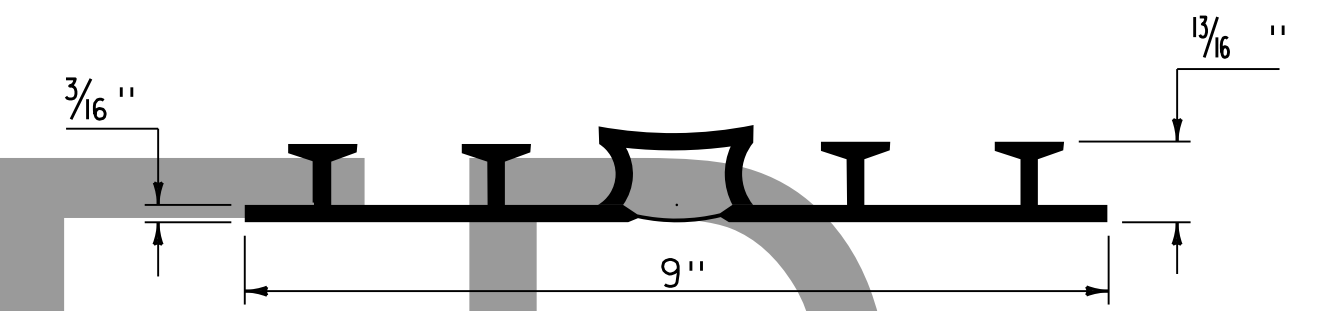


TYPICAL HORIZONTAL CONSTRUCTION JOINT
(NOT TO SCALE)

- THE SURFACE OF THE CONCRETE CONSTRUCTION JOINTS SHALL BE CLEANED AND FREE OF LAITANCE.
- IMMEDIATELY BEFORE NEW CONCRETE IS PLACED, ALL CONSTRUCTION JOINTS SHALL BE WETTED AND STANDING WATER REMOVED.



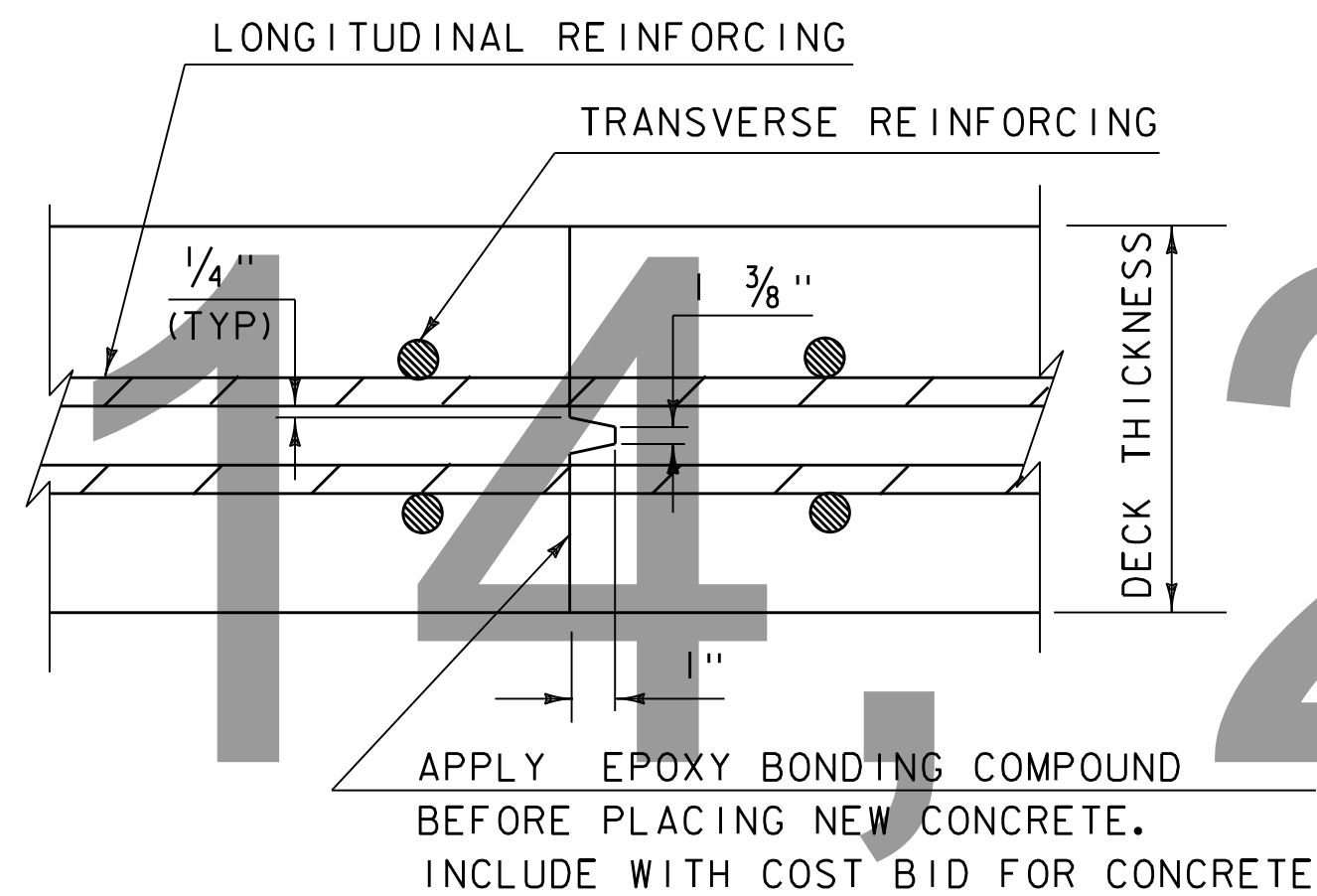
TYPICAL CONCRETE EXPANSION JOINT
(NOT TO SCALE)



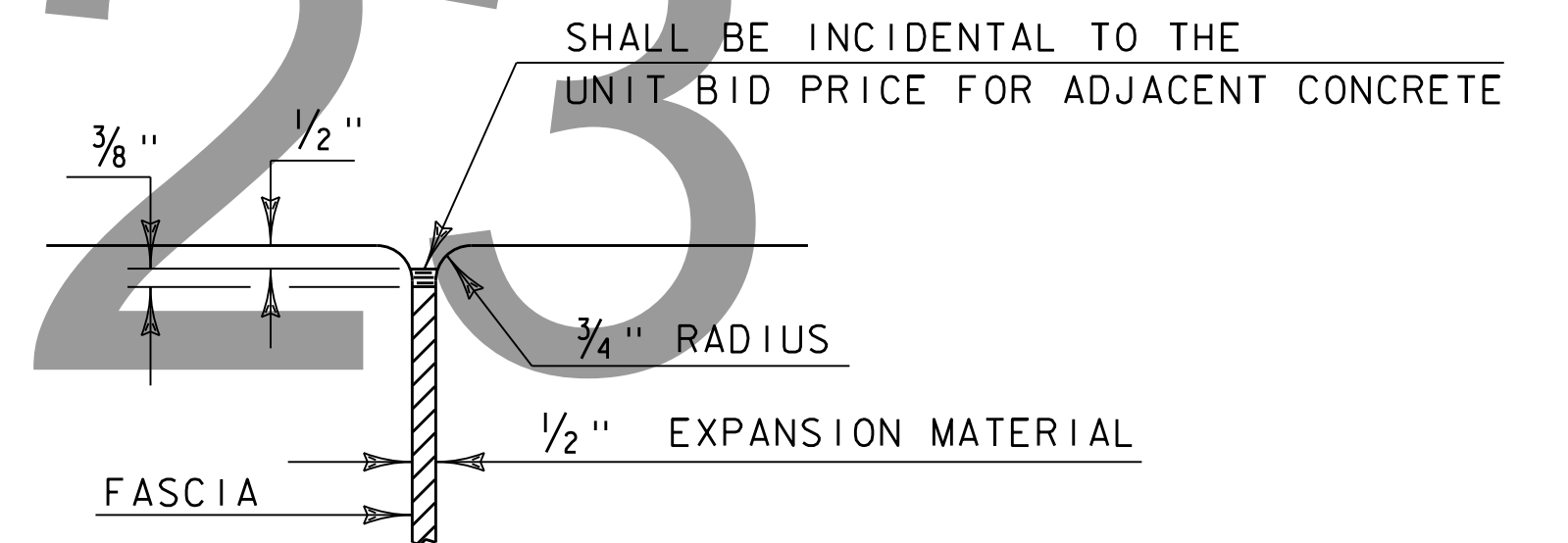
P.V.C. WATERSTOP FOR EXPANSION JOINTS
(NOT TO SCALE)

PAYMENT FOR THE P.V.C. WATERSTOP SHALL BE INCIDENTAL TO THE UNIT BID PRICE FOR THE ADJACENT CONCRETE.

OTHER CONFIGURATIONS OF WATERSTOP MAY BE USED UPON APPROVAL OF THE ENGINEER.



TRANSVERSE BRIDGE SLAB CONSTRUCTION JOINT DETAILS
(NOT TO SCALE)



JOINT BETWEEN FASCIA AND WINGWALL
(NOT TO SCALE)

SUPERSEDED
FEB. 14, 2023

REV.	DATE	DESCRIPTION
0	APR. 7, 2020	ORIGINAL APPROVAL
OTHER STANDARDS REQUIRED: NONE		
VTRANS AND FHWA APPROVAL ON FILE WITH CONTRACT ADMINISTRATION		

**CONCRETE
DETAIL AND NOTES**



**STANDARD
S - 500**