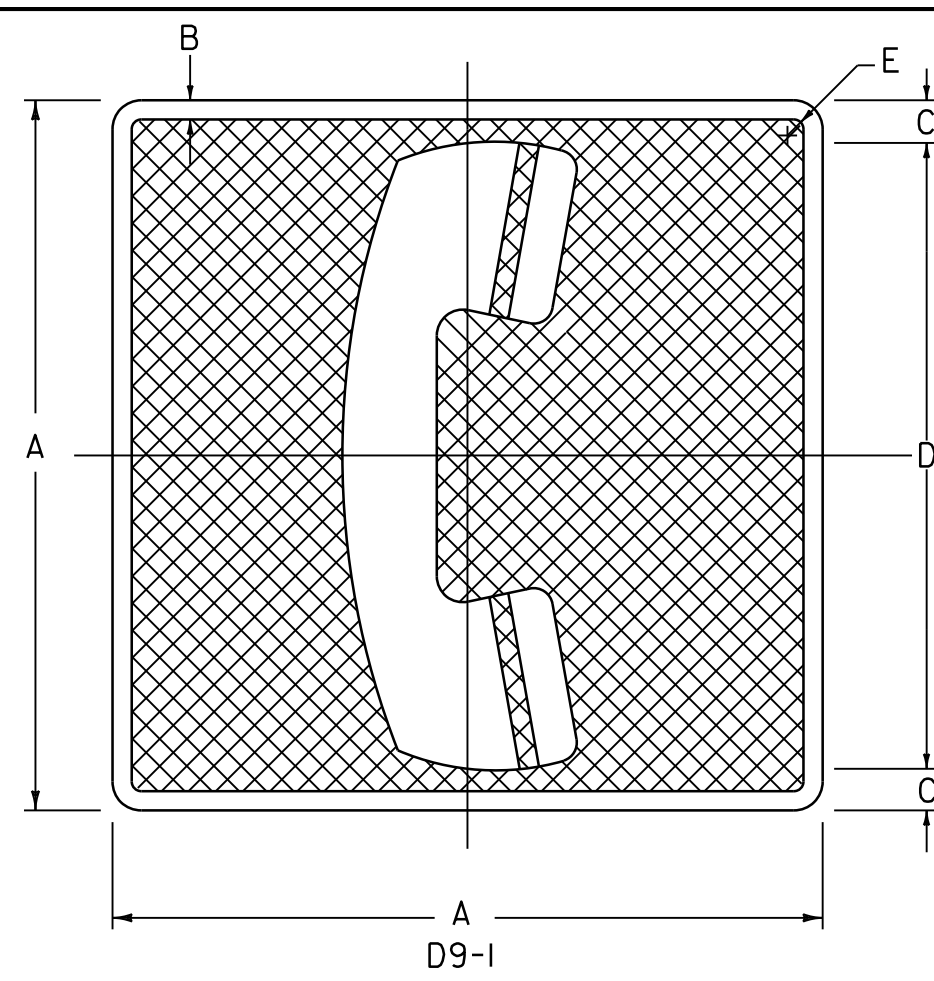
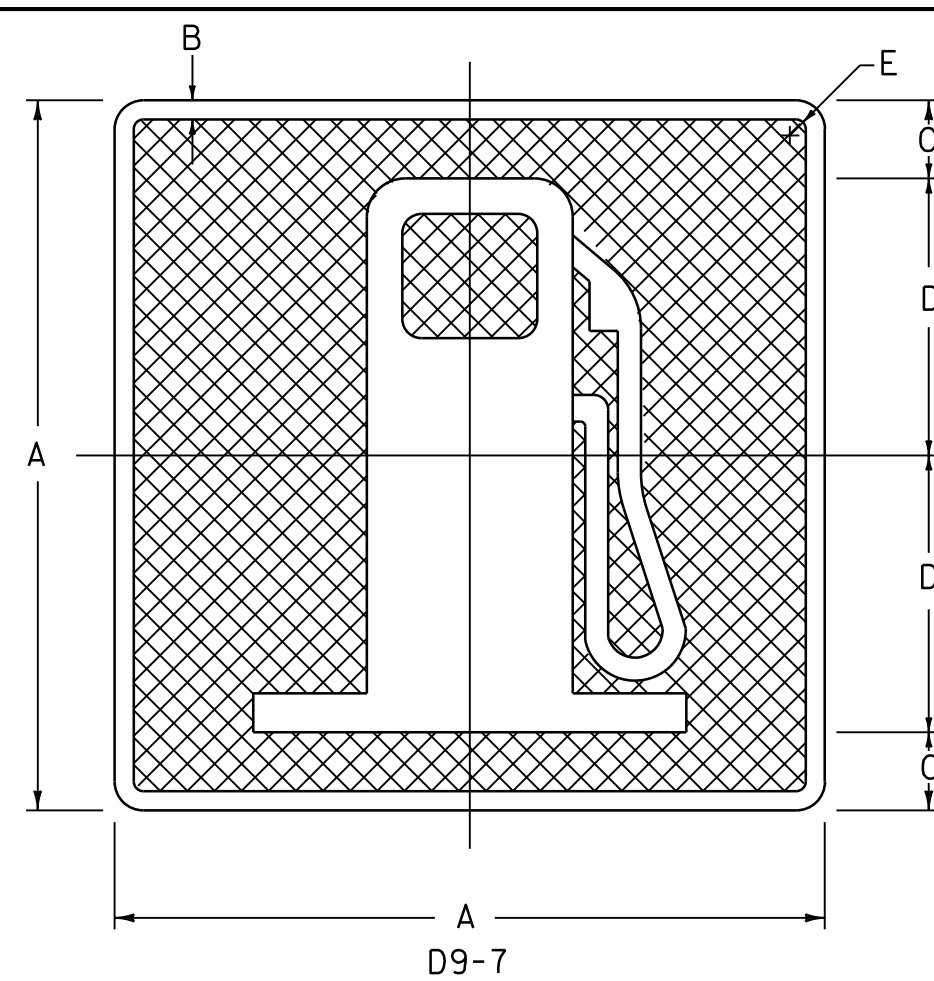


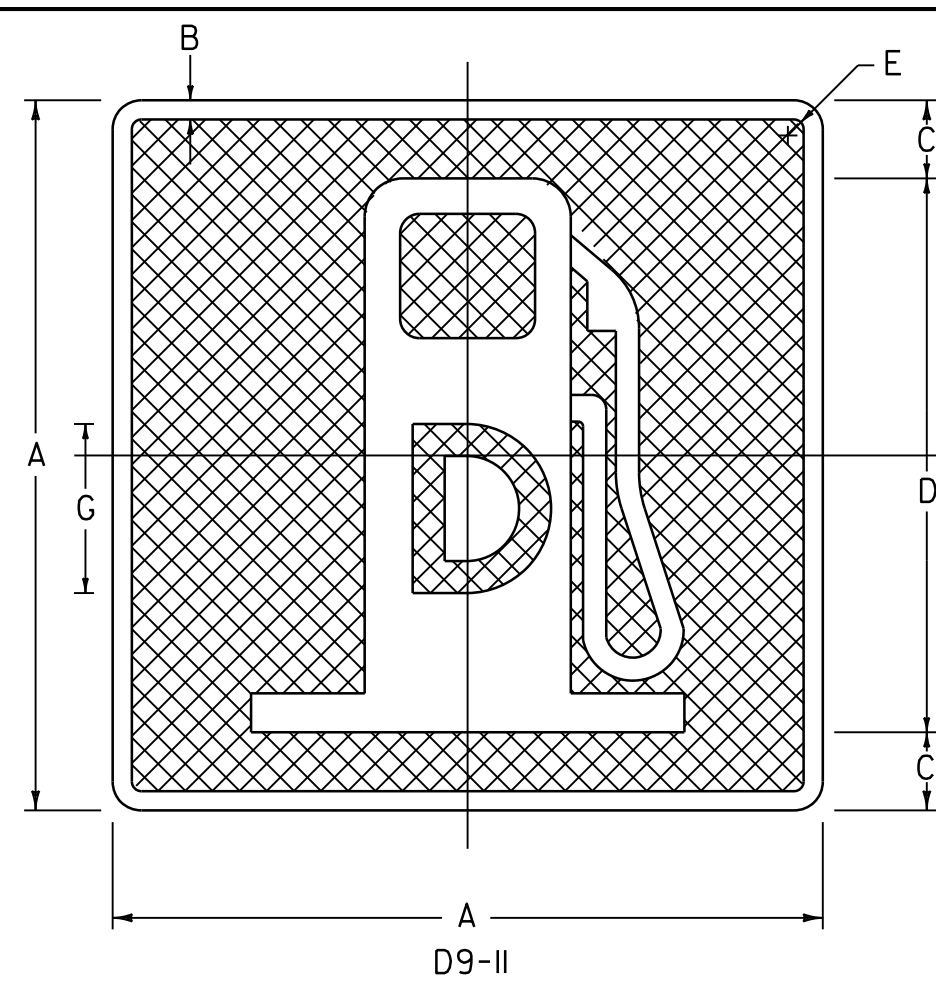
SIGN	DIMENSIONS (INCHES)				
	A	B	C	D	E
MIN	18	1/2	1 1/2	15	1 1/2
STD	24	1/2	2	20	1 1/2
SPECIAL	30	3/4	2 1/2	25	1 7/8



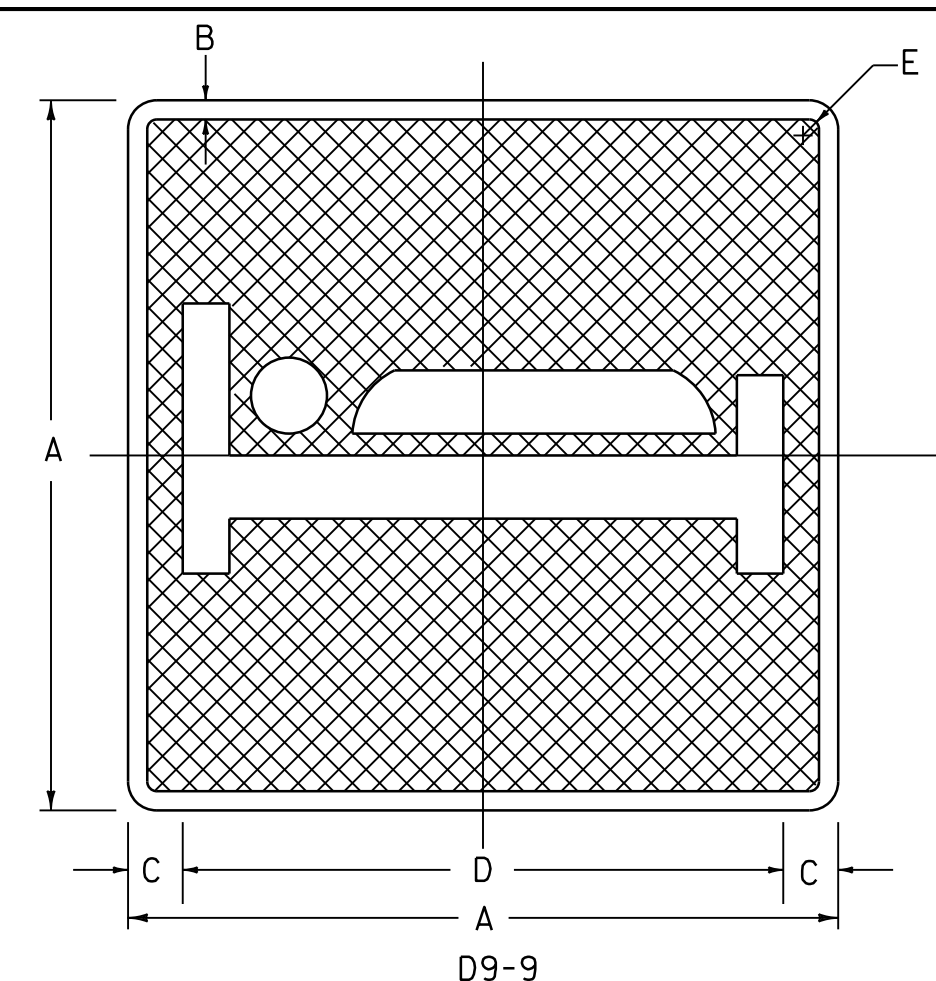
SIGN	DIMENSIONS (INCHES)				
	A	B	C	D	E
MIN	18	1/2	1 1/2	15	1 1/2
STD	24	1/2	2	20	1 1/2
SPECIAL	30	3/4	2 1/2	25	1 7/8



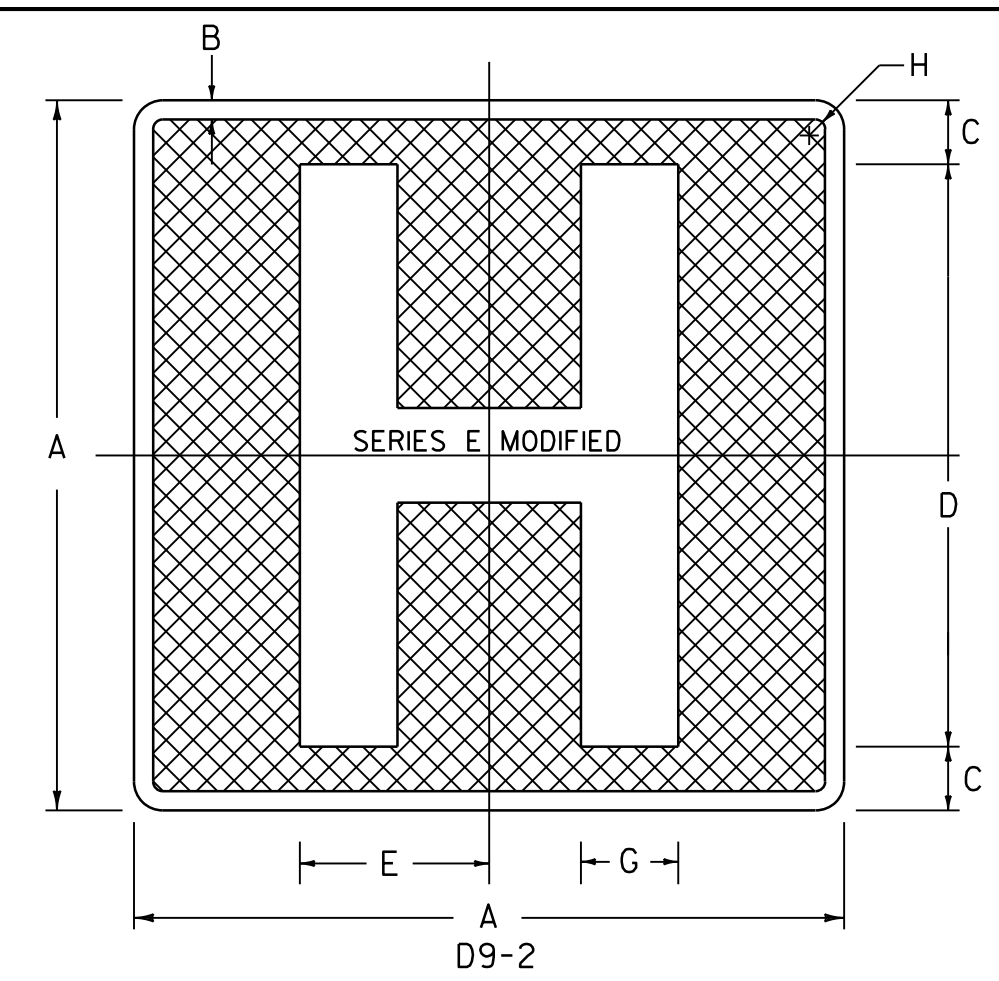
SIGN	DIMENSIONS (INCHES)				
	A	B	C	D	E
MIN	18	1/2	3	6	1 1/2
STD	24	1/2	3	9	1 1/2
SPECIAL	30	3/4	3 3/4	11 1/4	1 7/8



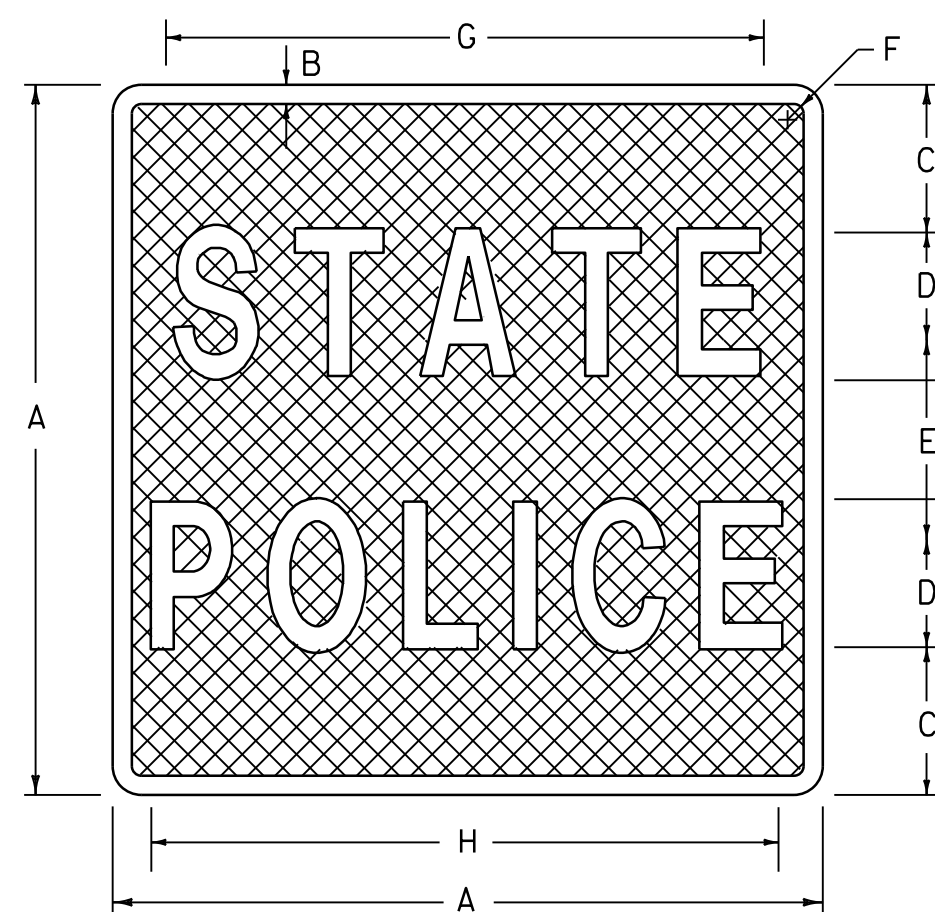
SIGN	DIMENSIONS (INCHES)					
	A	B	C	D	E	G
MIN	18	1/2	1 1/2	15	1 1/2	4E(M)
STD	24	1/2	2	20	1 1/2	6E(M)
SPECIAL	30	3/4	2 1/2	25	1 7/8	8E(M)



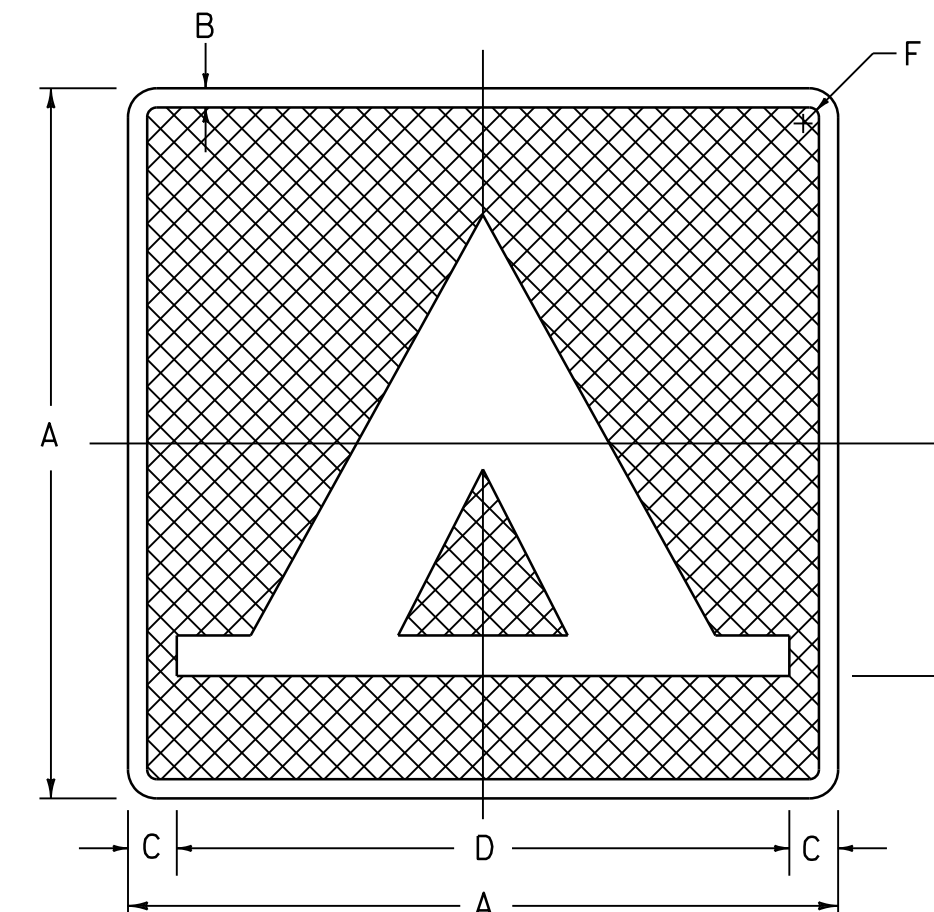
SIGN	DIMENSIONS (INCHES)				
	A	B	C	D	E
MIN	18	1/2	1 1/2	15	1 1/2
STD	24	1/2	2	20	1 1/2
SPECIAL	30	3/4	2 1/2	25	1 7/8



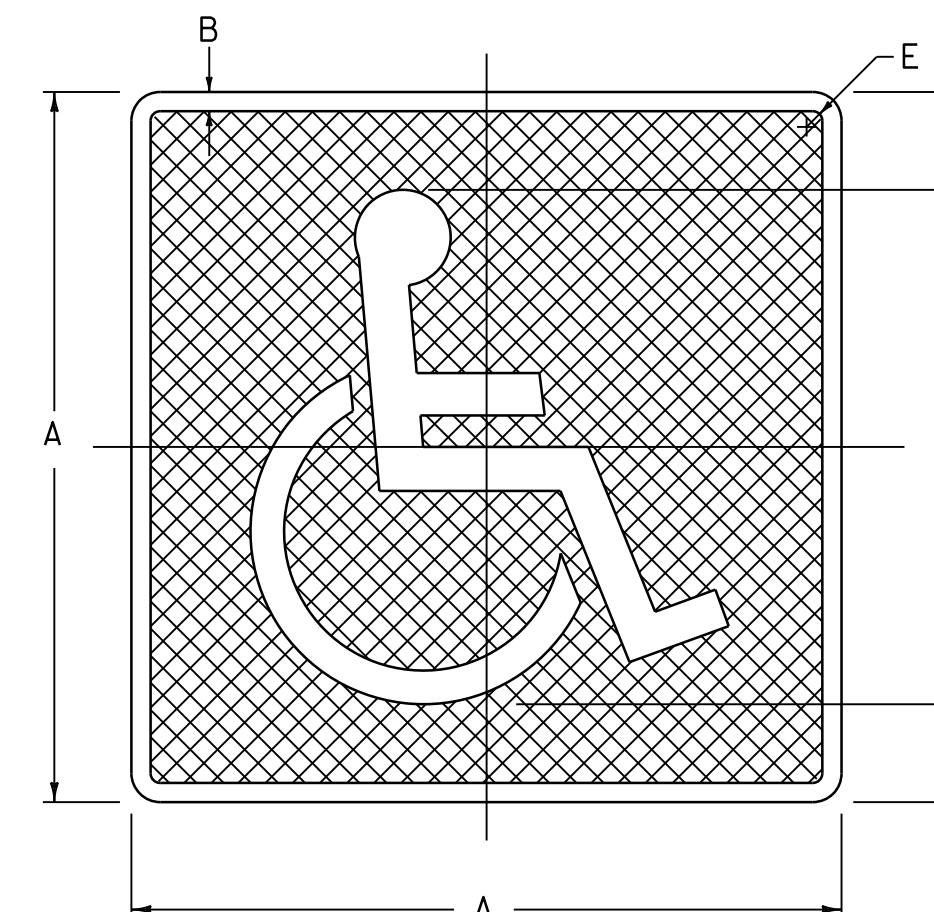
SIGN	DIMENSIONS (INCHES)						
	A	B	C	D	E	G	H
MIN	18	1/2	1 1/2	15			1 1/2
STD	24	1/2	2	20	6 3/8	3 1/5	1 1/2
SPECIAL	30	3/4	2 1/2	25	8	4	1 7/8



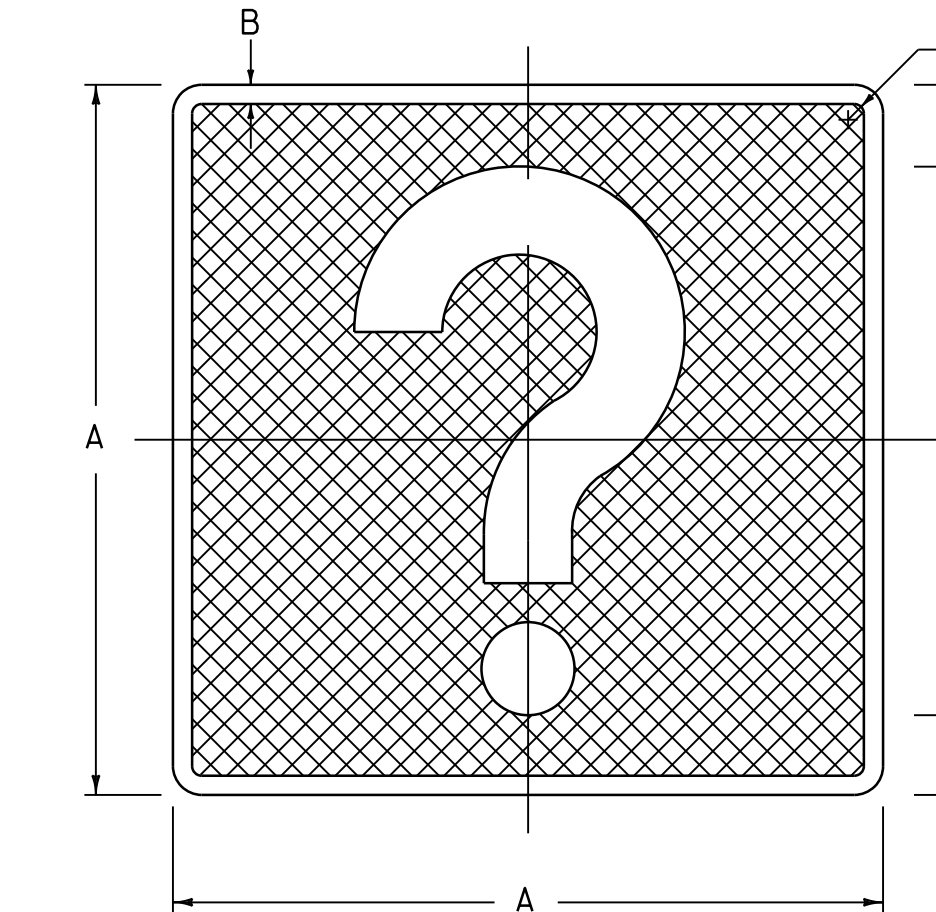
SIGN	DIMENSIONS (INCHES)							
	A	B	C	D	E	F	G	H
MIN AND STD	24	1/2	5	5C	4	1 1/2	14 5/16	18
SPECIAL	30	1/2	6	6C	6	1 1/2	18 3/4	22 1/16



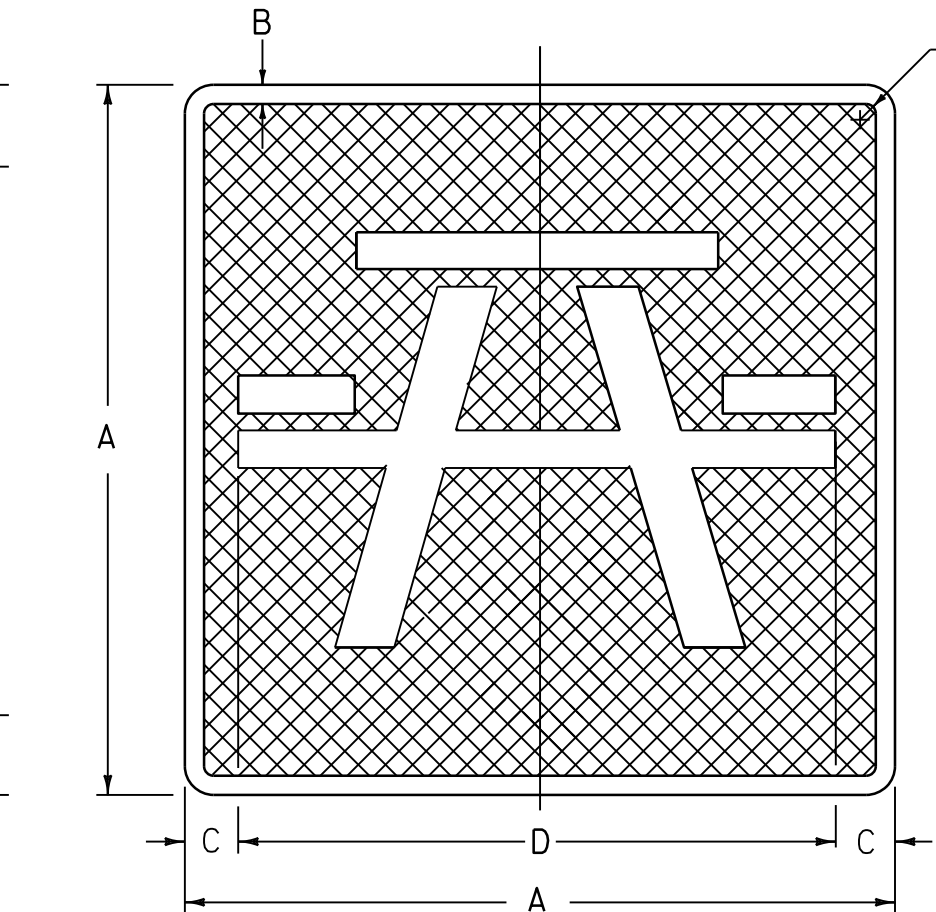
SIGN	DIMENSIONS (INCHES)					
	A	B	C	D	E	F
MIN	18	1/2	1 1/2	15	6	1 1/2
STD	24	1/2	2	20	8	1 1/2
SPECIAL	30	3/4	2 1/2	25	10	1 7/8



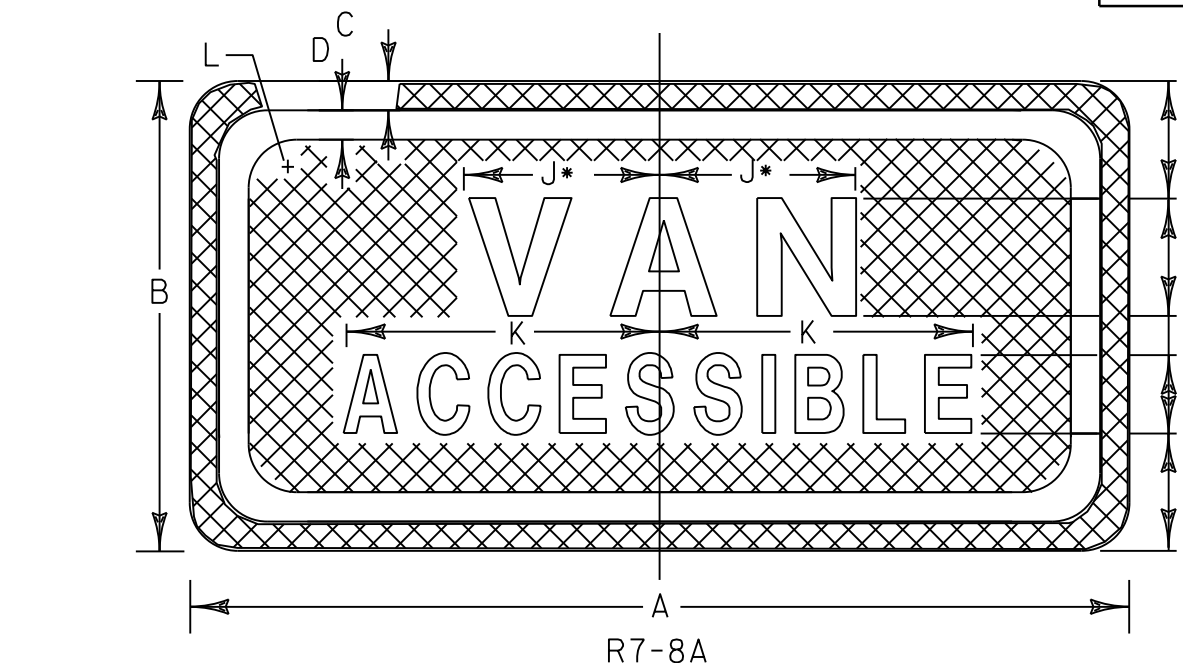
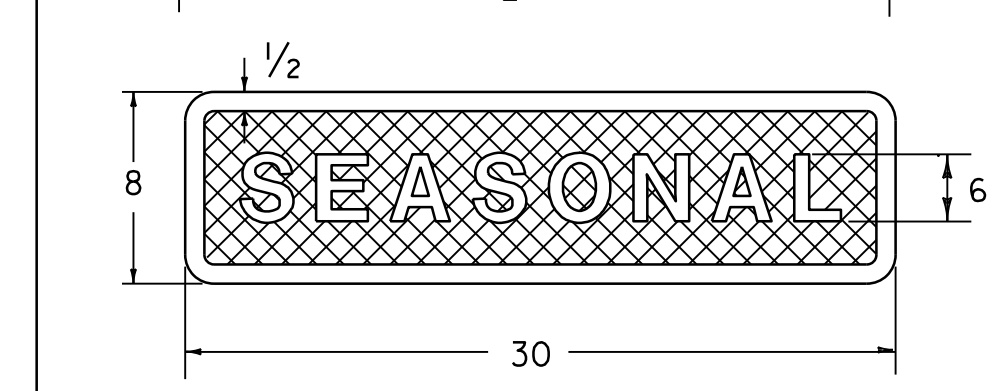
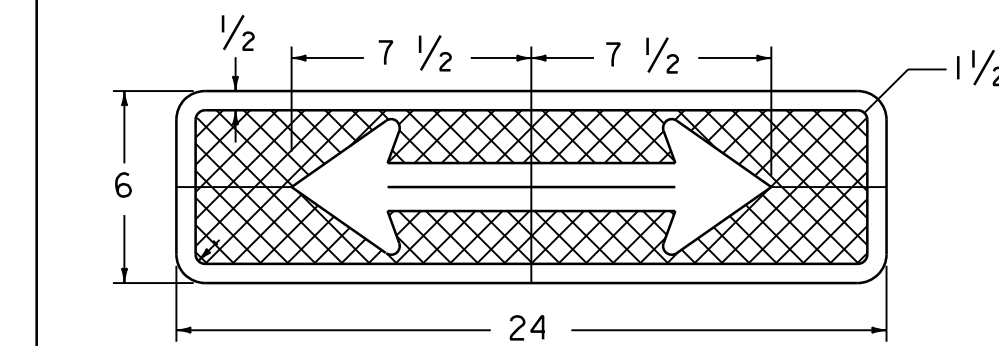
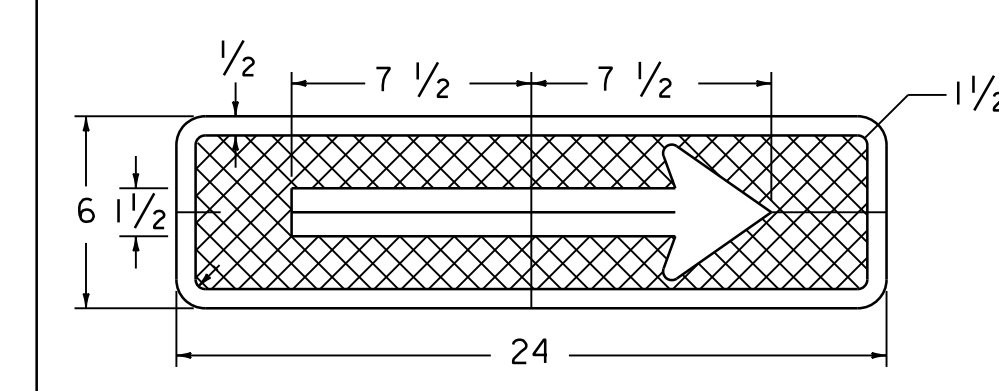
SIGN	DIMENSIONS (INCHES)				
	A	B	C	D	E
MIN	18	1/2	1 1/2	15	1 1/2
STD	24	1/2	2	20	1 1/2
SPECIAL	30	3/4	2 1/2	25	1 7/8



SIGN	DIMENSIONS (INCHES)				
	A	B	C	D	E
MIN	18	1/2	1 1/2	15	1 1/2
STD	24	1/2	2	20	1 1/2
SPECIAL	30	3/4	2 1/2	25	1 7/8



SIGN	DIMENSIONS (INCHES)				
	A	B	C	D	E
MIN	18	1/2	1 1/2	15	1 1/2
STD	24	1/2	2	20	1 1/2
SPECIAL	30	3/4	2 1/2	25	1 7/8



• INCREASE SPACING 50%

SIGN	DIMENSIONS (INCHES)										
	A	B	C	D	E	F	G	H	J	K	L
STD	12	6	3/8	3/8	1/2	1 1/2 D	1/2	1 D	2 1/4	4	1 1/2
SPECIAL	18	9	3/8	5/8	2 1/4	2 D	1	1 1/2 D	2 3/4	7	1 1/2

NOTES

MATERIALS

THE SIGN BASE MATERIALS USED FOR REGULATORY SIGNS SHOWN ON THIS SHEET MUST CONFORM TO SECTION 675 OF THE LATEST VERSION OF THE VAOT STANDARD SPECIFICATIONS FOR CONSTRUCTION.

COLORS

THE SIGNS SHALL BE WHITE OR SILVER REFLECTORIZED SHEETING WITH A REVERSE SCREENED BLUE BACKGROUND. THE BLUE SHALL CONFORM WITH THE STANDARD COLORS ADOPTED BY THE AMERICAN ASSOCIATION OF STATE HIGHWAY OFFICIALS AND APPROVED BY THE U.S. DEPT. OF TRANSPORTATION, FEDERAL HIGHWAY ADMINISTRATION.

LETTERING

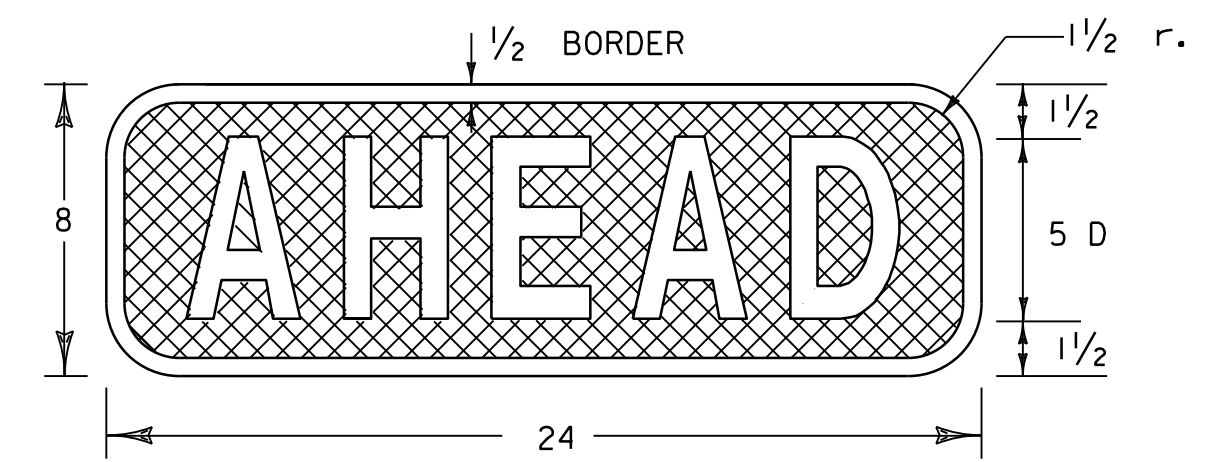
LETTERS SHALL CONFORM WITH THE REQUIREMENTS FOUND IN THE PUBLICATION "STANDARD ALPHABETS FOR HIGHWAY SIGNS AND PAVEMENT MARKINGS" PRINTED BY THE FEDERAL HIGHWAY ADMINISTRATION.

DESIGN

THE DESIGN OF THESE SIGNS SHALL CONFORM WITH THE DETAILS SET FORTH IN THE MANUAL "STANDARD HIGHWAY SIGNS" AS SPECIFIED IN "THE MANUAL ON UNIFORM TRAFFIC CONTROL DEVICES." LETTER-NUMERAL DESIGNATION UNDER EACH SYMBOL IS IDENTIFICATION IN MANUAL.

SPECIFICATIONS

THESE SIGNS SHALL MEET THE STANDARD STATE SPECIFICATIONS FOR "TRAFFIC SIGNS."



NOTE : ALL DIMENSIONS SHOWN IN INCHES

REV.	DATE	DESCRIPTION
0	SEP. 11, 2023	ORIGINAL APPROVAL
1	SEP. 11, 2023	DELETED SERVICE MOUNTING DETAIL, REVISED 'STATE POLICE' SIGN, ADDED 'AHEAD' SIGN
2	AUG. 18, 1995	SIGN DETAIL REVISIONS PER STANDARD HIGHWAY SIGNS MANUAL
3	JUN. 25, 2024	MINOR REVISIONS, BORDER UPDATE

OTHER STANDARDS REQUIRED:

GENERAL MOTORIST SERVICES SIGN DETAILS



STANDARD E-132