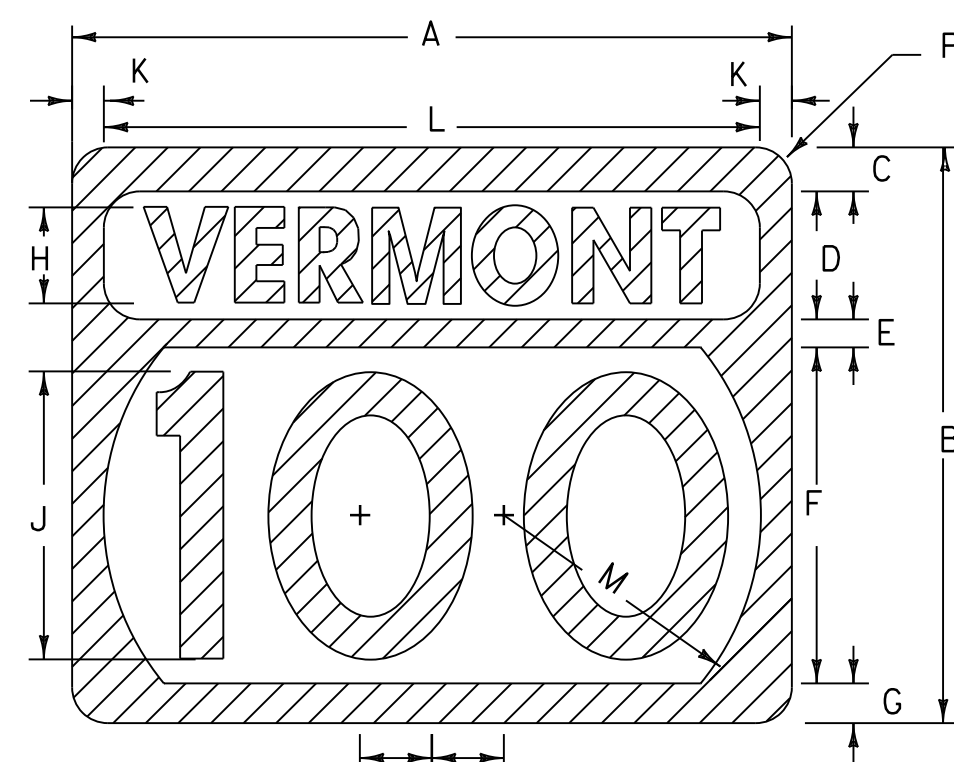
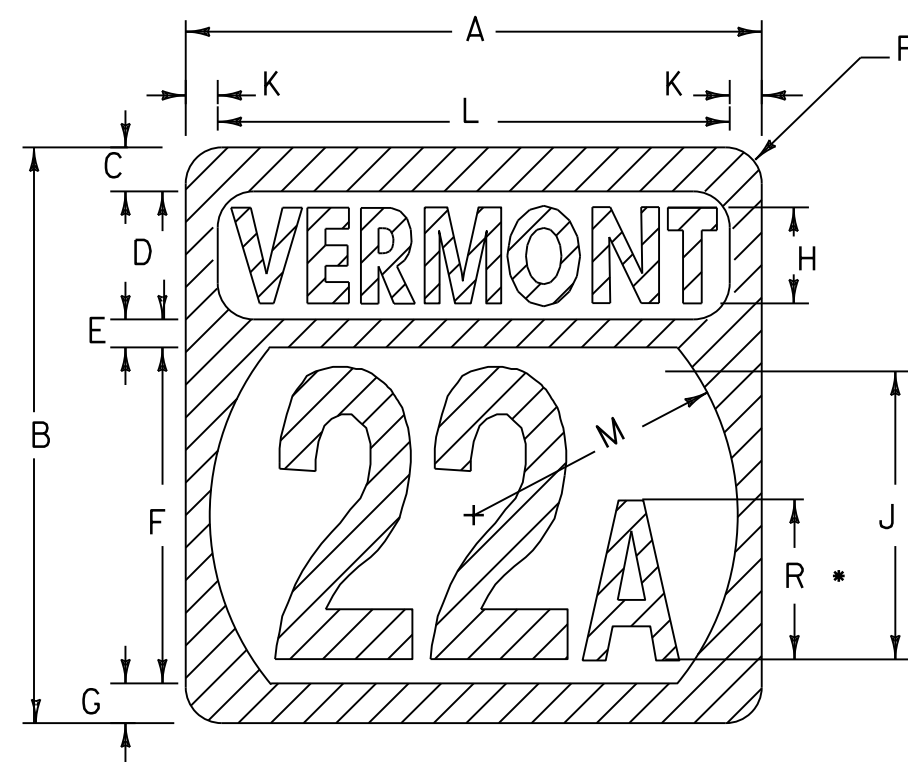


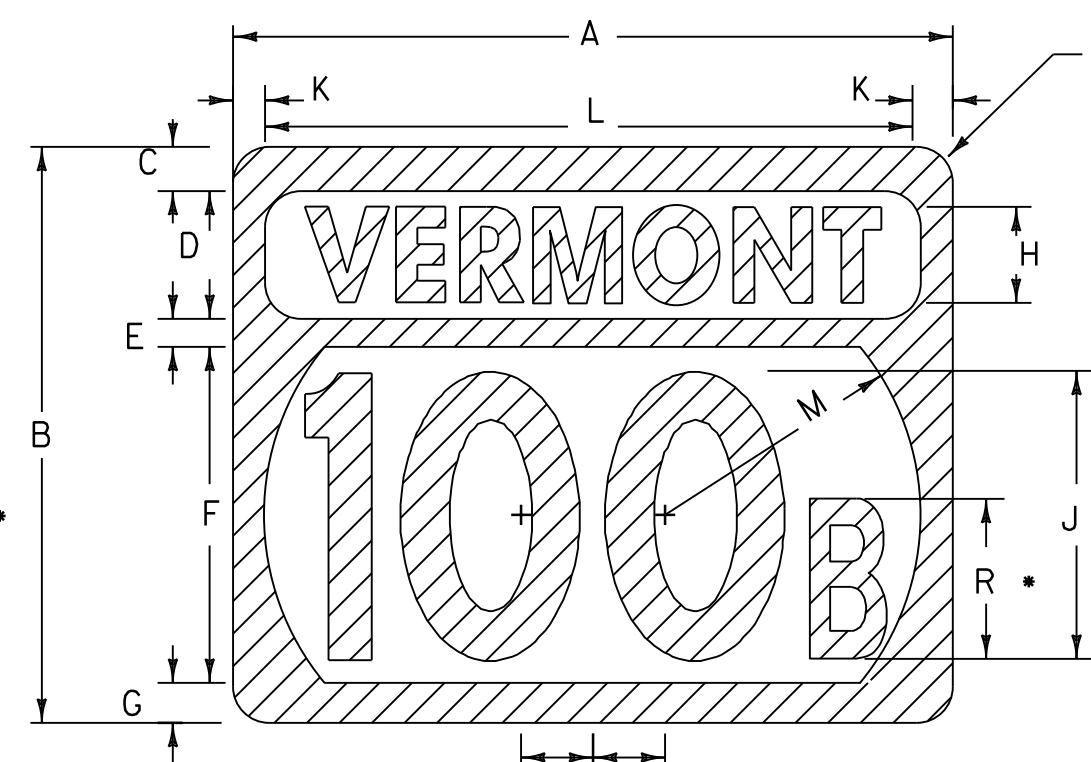
1 OR 2 DIGIT
STATE ROUTE MARKER



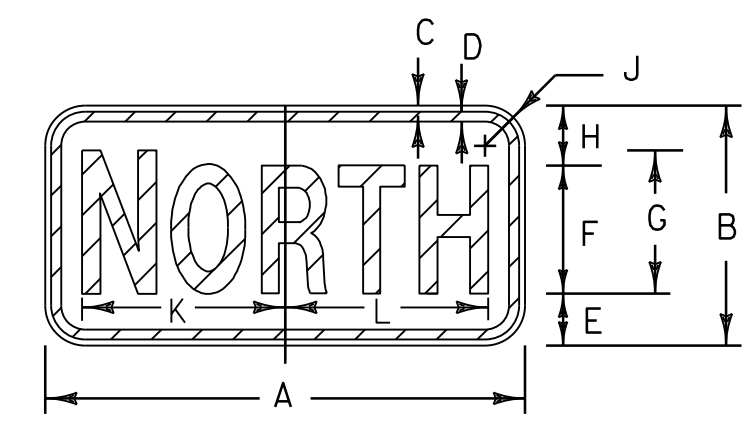
3 DIGIT
STATE ROUTE MARKER



1 OR 2 DIGIT
ALTERNATE STATE
ROUTE MARKER



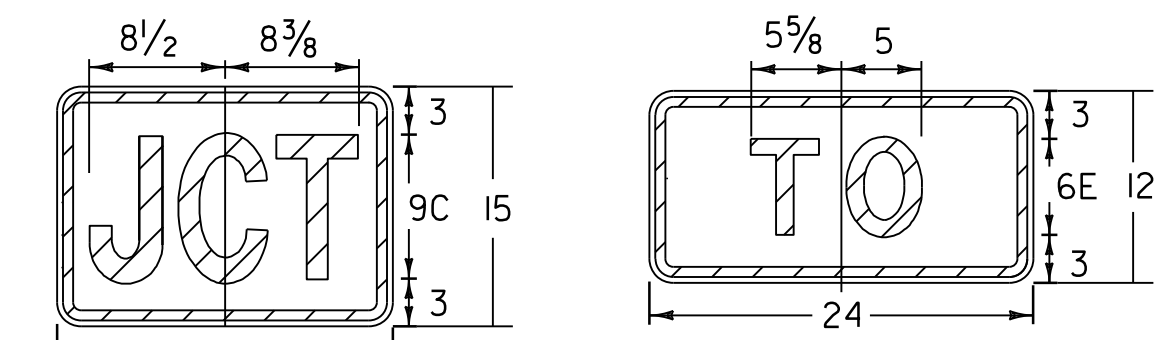
3 DIGIT
ALTERNATE STATE
ROUTE MARKER



M3-1 M3-3 M3-2 M3-4

SIGN	DIMENSIONS (INCHES)										NORTH	SOUTH	EAST	WEST			
	A	B	C	D	E	F	G	H	J	K	L	K	L	K	L		
MIN. & STD.	24	12	3/8	5/8	2 3/4	6C	7C	3/4	1 1/2	10 1/4	10 1/4	10 1/4	9 5/8	7 7/8	8 3/8	8 3/4	8 5/8
SPECIAL	30	15	3/8	5/8	3/4	8C	9C	3/4	1 1/2	12 1/8	12 1/8	12 1/8	12 1/2	10 3/8	11 1/8	11 5/8	11 5/8

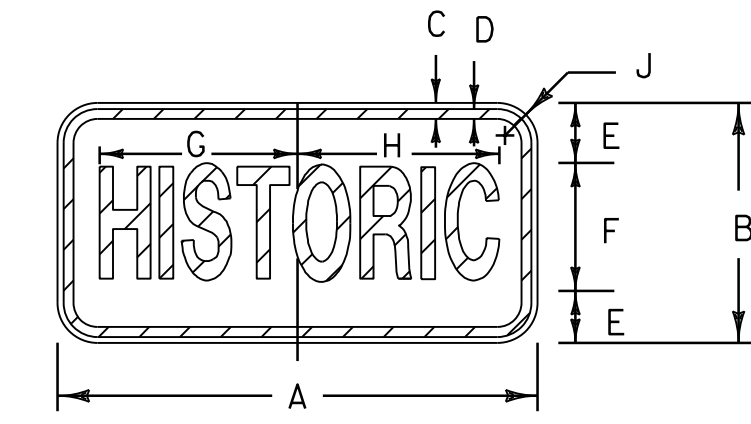
CARDINAL DIRECTION MARKER



M2-1

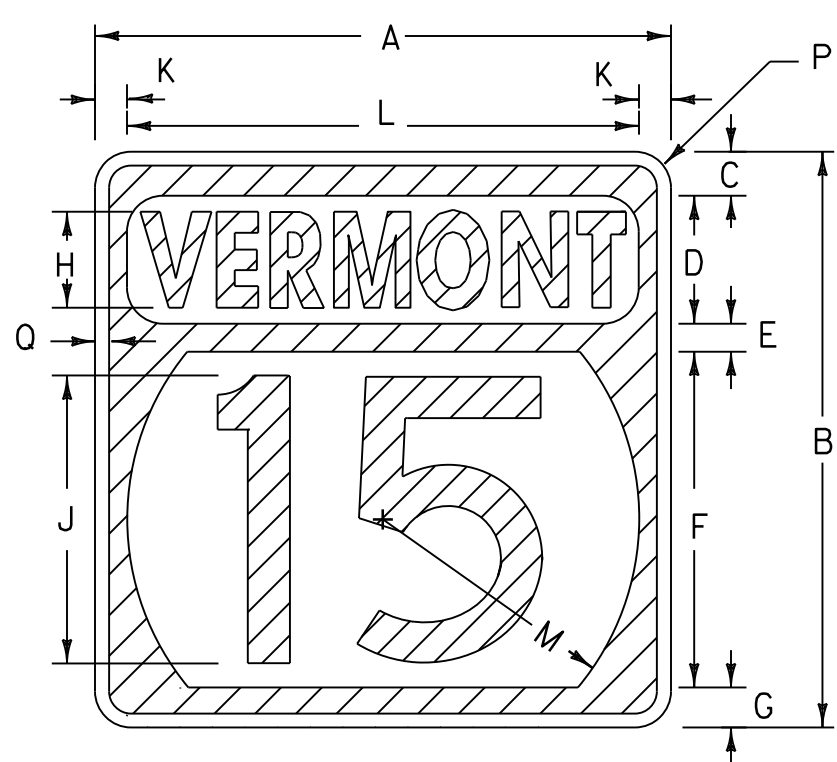
TRAILBLAZER

M4-5

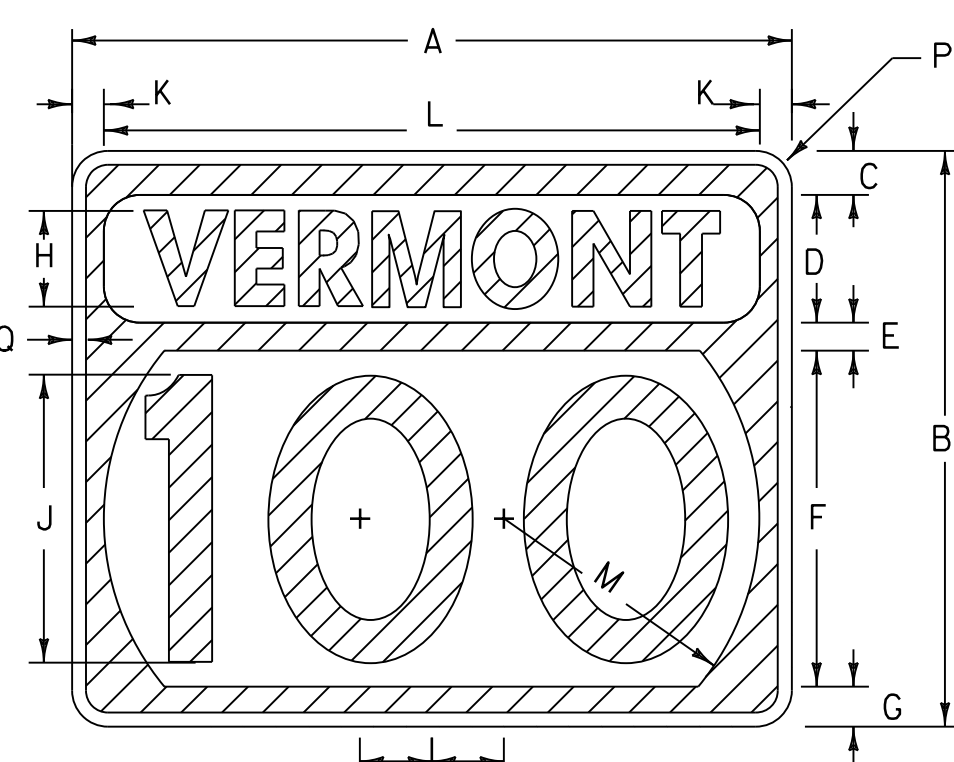


SIGN	DIMENSIONS (INCHES)									
	A	B	C	D	E	F	G	H	J	
MIN. & STD.	24	12	3/8	5/8	3 1/2	5B	10 1/8	9 7/8	1 1/2	
SPECIAL	30	15	3/8	5/8	4	7B*	12 3/8	12 5/8	1 1/2	

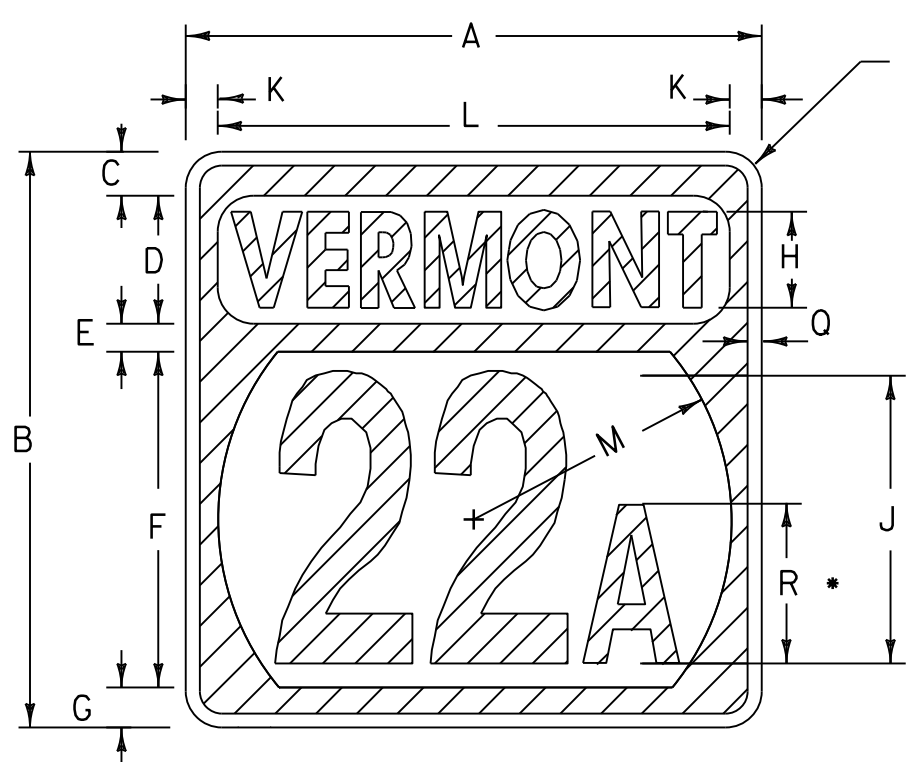
* REDUCE SPACING
35%



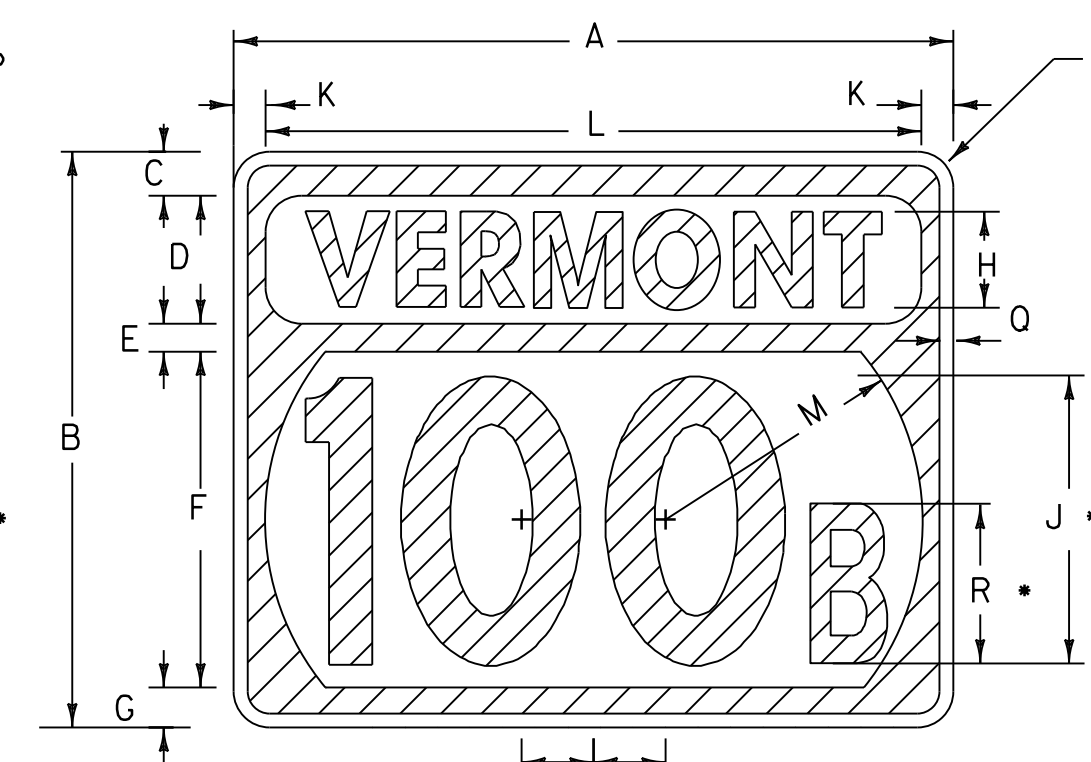
STATE ROUTE MARKER
FOR GUIDE SIGN USE.
(INTERSTATE TYPICAL)



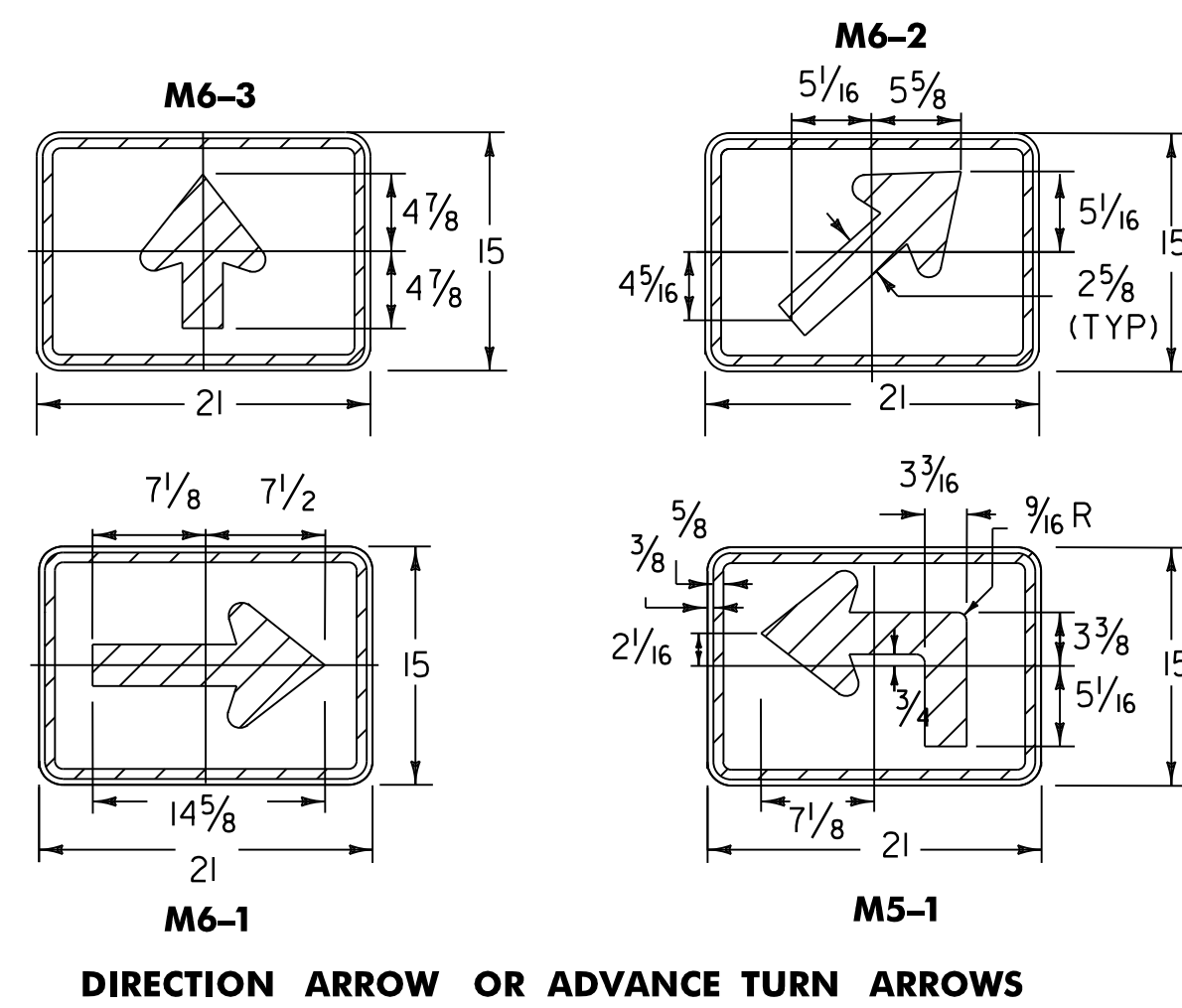
• ALTERNATE ROUTE SIGNS:
OPTICALLY SPACE NUMERALS
ABOUT VERTICAL CENTER-
LINE AND REDUCE SPACING AS
NECESSARY FOR EACH ROUTE



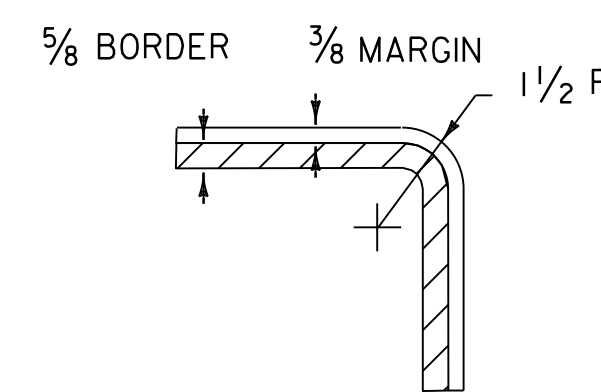
ALTERNATE STATE ROUTE MARKER
FOR GUIDE SIGN USE.
(INTERSTATE TYPICAL)



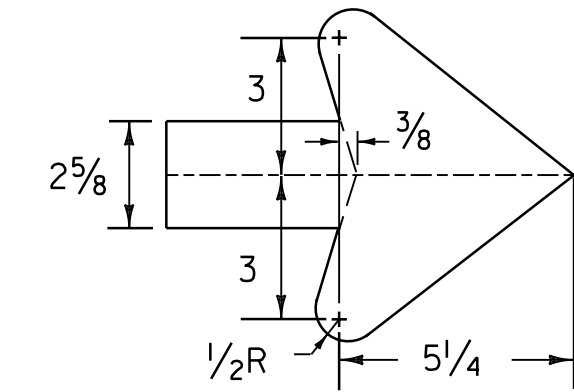
SIGN	DIMENSIONS (INCHES)															
	A	B	C	D	E	F	G	H	J	K	L	M	N	P	Q	R
1,2-digits	24	24	1 1/2	6	1	14	1 1/2	4C	12D	1	22	11	-	1 1/2	1/2	7B
1,2-digits	36	36	2 5/8	8	1 3/4	21	2 5/8	6C	18D	2	32	16 1/2	-	2 1/4	7/8	10B
3.-digits	30	24	1 1/2	6	1	14	1 1/2	4D	12D	1	28	11	3	1 1/2	1/2	7B
3.-digits	45	36	2 5/8	8	1 3/4	21	2 5/8	6D	18D	2	41	16 1/2	4 1/2	2 1/4	7/8	10B



DIRECTION ARROW OR ADVANCE TURN ARROWS



TYPICAL RADIUS DETAIL



TYPICAL ARROW DETAIL

(ALL DIMENSIONS IN INCHES)

MATERIALS

THE SIGN BASE MATERIALS USED FOR REGULATORY SIGNS SHOWN ON THIS SHEET MUST CONFORM TO SECTION 675 OF THE LATEST VERSION OF THE VAOT STANDARD SPECIFICATIONS FOR CONSTRUCTION.

COLORS

COLORS FOR GUIDE USE: TEXT AND SHIELD - GREEN (REFL.) BACKGROUND AND BORDER - WHITE (REFL.)
STATE ROUTE MARKERS SHALL HAVE REFLECTIVE GREEN TEXT AND BORDERS ON REFLECTORIZED WHITE BACKGROUNDS
GREEN AREAS ARE INDICATED BY SINGLE LINE CROSSHATCHING

LETTERING

LETTERS AND DIGITS SHALL CONFORM WITH THE "STANDARD ALPHABET FOR HIGHWAY SIGNS AND PAYMENT MARKINGS" ADOPTED BY THE U.S. DEPARTMENT OF TRANSPORTATION AND FHWA.

SPECIFICATIONS

STATE ROUTE MARKERS AND AUXILIARY ROUTE MARKERS SHALL MEET THE STANDARD STATE SPECIFICATIONS FOR TRAFFIC SIGNS.

DESIGNS

THE DESIGNS OF STATE ROUTE MARKERS AND AUXILIARY MARKERS SHALL CONFORM WITH THE REQUIREMENTS SET FORTH IN THE "MANUAL ON UNIFORM TRAFFIC CONTROL DEVICES" ADOPTED BY THE U.S. DEPARTMENT OF TRANSPORTATION AND FHWA.

REV.	DATE	DESCRIPTION
0	AUG. 8, 1995	ORIGINAL APPROVAL
1	JUN. 25, 2024	MINOR REVISIONS, BORDER UPDATE

OTHER STANDARDS REQUIRED:

STATE ROUTE MARKER
SIGN DETAILS



STANDARD
E-136B